

INSTALLATION GUIDE

Flat Roof Homesheds™



BEFORE YOU START

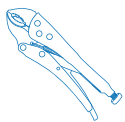
It is important to check your Local Government Authority requirements before the installation of your new Stratco Flat Roof Homeshed. Read these instructions thoroughly before starting your project and refer to them constantly during each stage of construction. Contact Stratco for advice if you do not have the necessary tools or information.

Before starting, lay out the main components in order of assembly on the ground and check them against the delivery note. The 'Components' section identifies each part of your Flat Roof Homeshed.

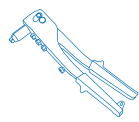
Ensure there is reasonable access for materials and working space, ensure the shed site is level and consider the disposal of run-off water.

TOOLS REQUIRED

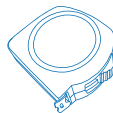
All tools are available from your local Stratco H.I.S.



Multi- Grips



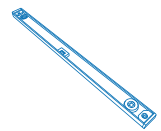
Rivet Gun



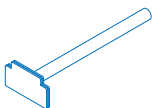
Tape Measure



Phillips Head Adapter



Spirit Level



Turn Up/Down Tool



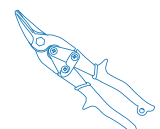
Power Drill



5/16" Hex Head Adapter



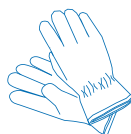
Permanent Marker



Tin Snips



1/8" Drill Bit



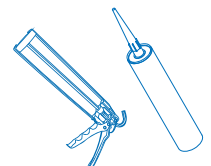
Gloves



Safety Glasses



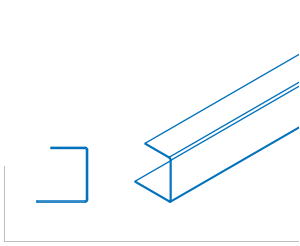
Step Ladder



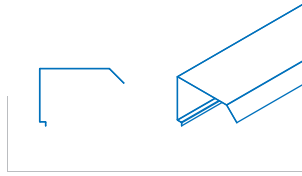
Silicone Gun/Silicone



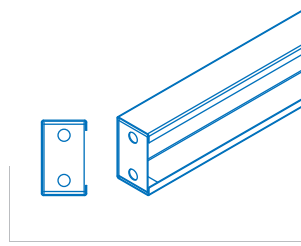
COMPONENTS



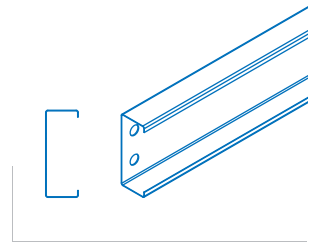
55mm Back Channel



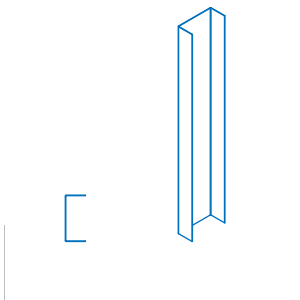
Barge Flashing



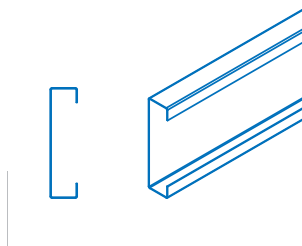
Bridging



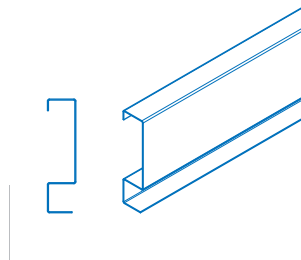
C Section



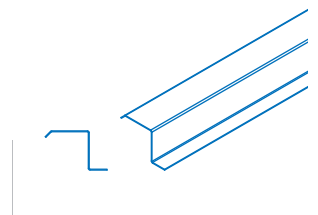
Door Infill Bracket



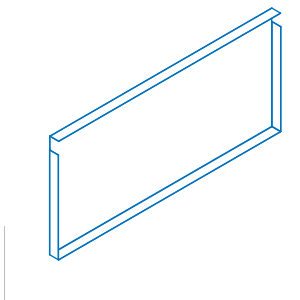
Front Centre Mullion



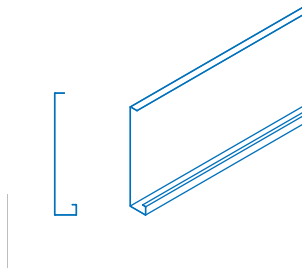
Front Side Mullion



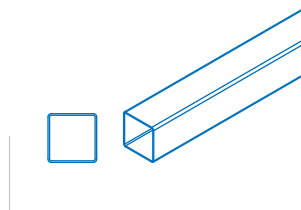
PA Door Jamb



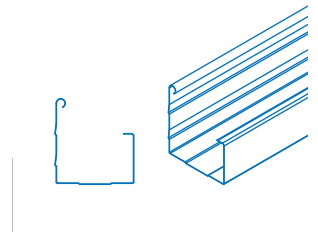
PA Door Infill



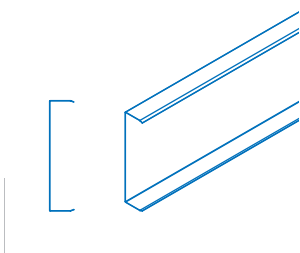
Roller Door Infill



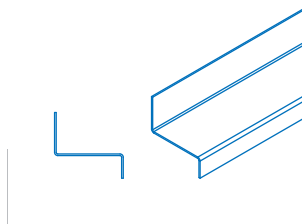
SHS Post



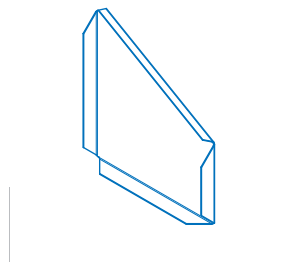
VF Gutter



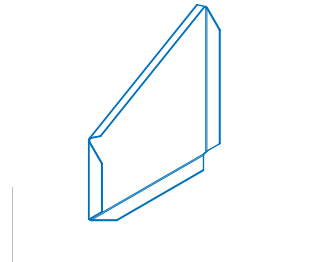
Mullion Flashing



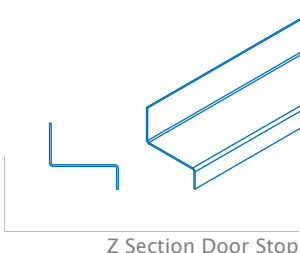
Z Rail



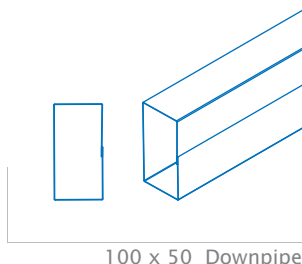
Left Hand Gutter End



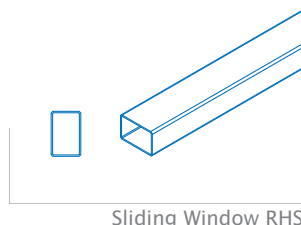
Right Hand Gutter End



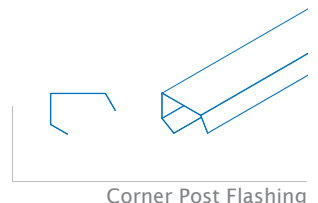
Z Section Door Stop



100 x 50 Downpipe

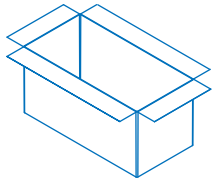


Sliding Window RHS

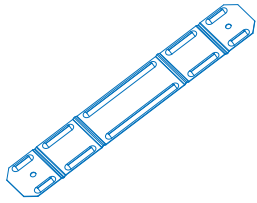


Corner Post Flashing

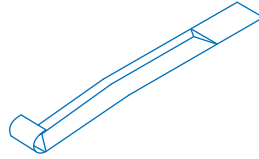




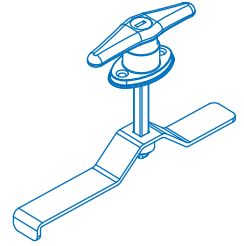
100 x 50 POP



Downpipe Strap



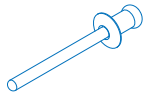
Universal Deck Strap



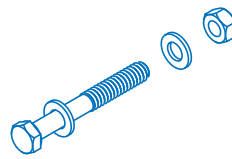
PA Door Handle



Self Drilling Screw



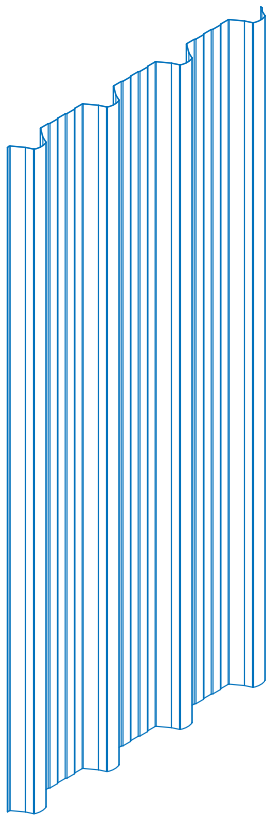
Rivet



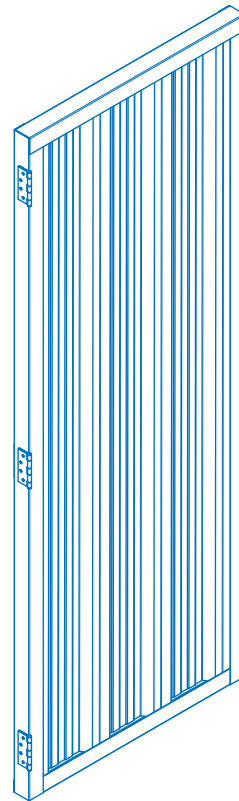
Nut and Bolt



Wafer Head Screw



Prodek®



PA Door

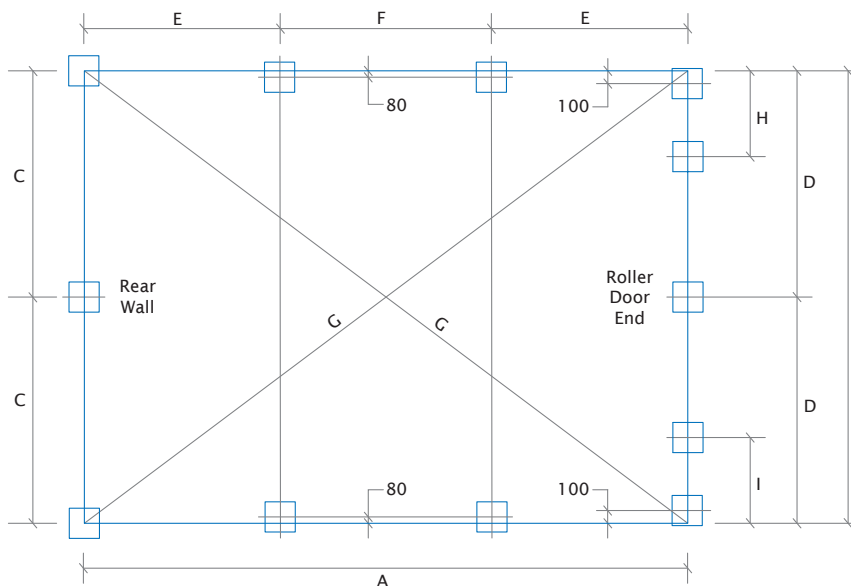


STEP ONE

Set out accurately the footing hole locations and check all dimensions before attempting to dig holes. Refer footing layout and table supplied for dimensions. Ensure front and side posts are

offset as per footing layout. Door can be positioned on any wall panel by lapping a sheet.

| CODE | DESCRIPTION | A | B | C | D | E | F | G | H | I |
|------|--------------------------------------|------|------|------|------|------|------|-------|-----|------|
| G36 | UNIVERSAL | 5960 | 3460 | - | - | 1900 | 2160 | 6892 | - | - |
| G38 | UNIVERSAL WITH HANDIMAN EXTENSION | 7910 | 3460 | - | - | 2500 | 2910 | 8634 | - | - |
| G46 | SPACEMASTER | 5960 | 4110 | - | - | 1900 | 2160 | 6892 | 603 | 603 |
| G48 | SPACEMASTER WITH HANDIMAN EXTENSION | 7910 | 4110 | - | - | 2500 | 2910 | 8914 | 603 | 603 |
| G506 | WORKSHOP | 5960 | 4764 | 2707 | - | 1900 | 2160 | 7240 | - | 1407 |
| G508 | WORKSHOP WITH HANDIMAN EXTENSION | 7910 | 4764 | 2707 | - | 2500 | 2910 | 9234 | - | 1407 |
| G56 | DUO | 5960 | 5415 | 2707 | 2707 | 1900 | 2160 | 8053 | - | - |
| G58 | DUO WITH HANDIMAN EXTENSION | 7910 | 5415 | 2707 | 2707 | 2500 | 2910 | 9586 | - | - |
| G606 | ALL ROUNDER | 5960 | 6015 | 3007 | 3007 | 1900 | 2160 | 8467 | - | - |
| G608 | ALL ROUNDER WITH HANDIMAN EXTENSION | 7910 | 6015 | 3007 | 3007 | 2500 | 2910 | 9937 | - | - |
| G66 | LEISURE KING | 5960 | 6715 | 3357 | 3357 | 1900 | 2160 | 8978 | - | - |
| G68 | LEISURE KING WITH HANDIMAN EXTENSION | 7910 | 6715 | 3357 | 3357 | 2500 | 2910 | 10376 | - | - |

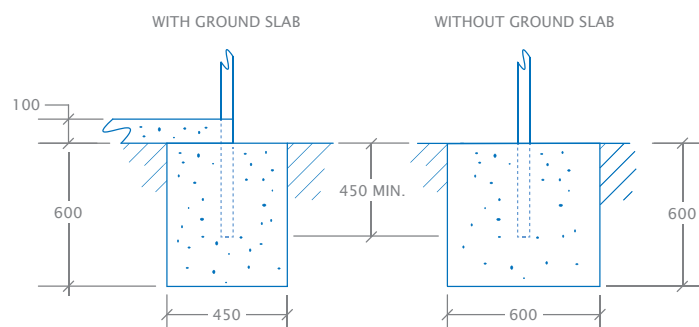


Footing Layout

STEP TWO

Dig post holes using a post hole digger and spade to suit requirements, refer footing details. Footing details show minimum depth, trim posts to suit or increase depth of footing as required. Footing sizes assume a firm natural sandy soil clay soil. Increase

depth by 150mm for firm natural sandy soil. Place a bearer (e.g. an old brick) in the bottom of each hole to prevent the posts penetrating the soil. Check locations of holes before proceeding to the next step.

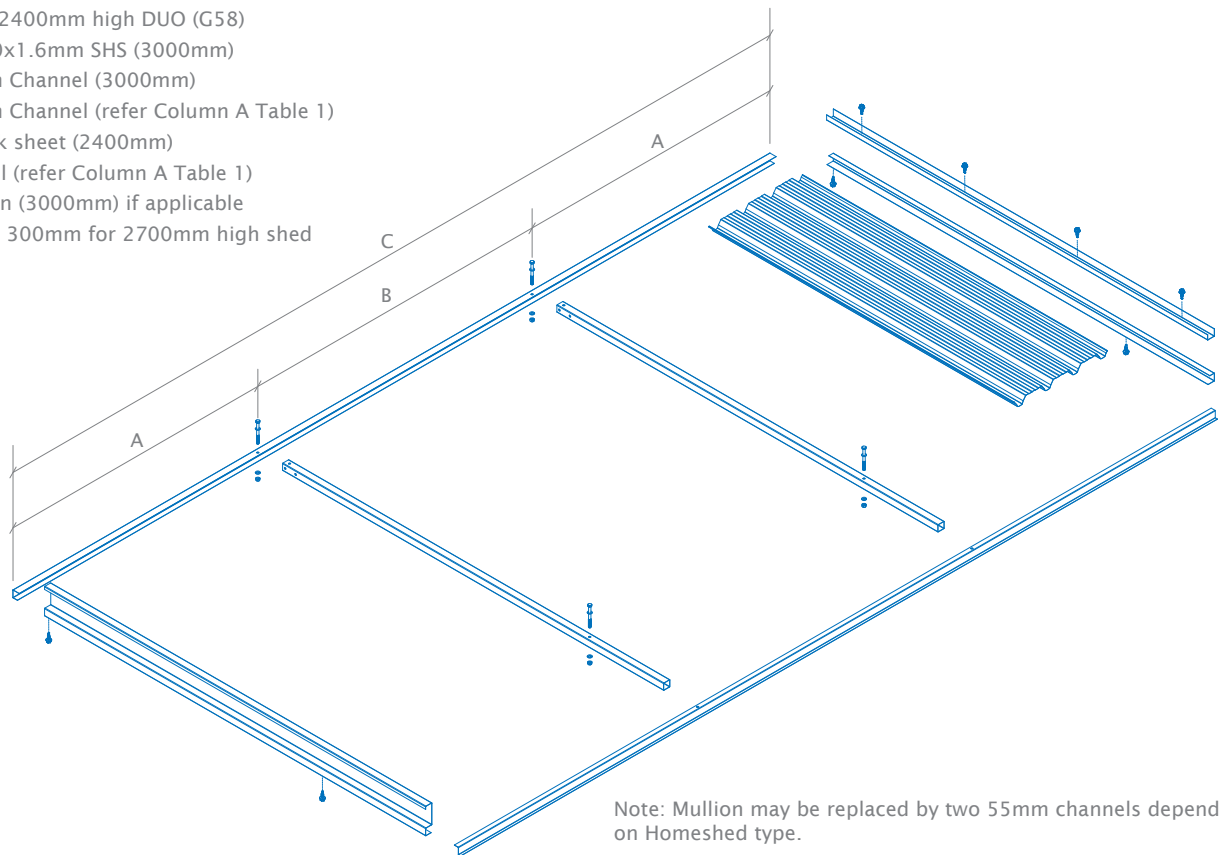


Footing Detail

STEP THREE

Layout on the ground the components for one complete side panel frame with single wall sheet as shown below.

Example: 2400mm high DUO (G58)
 2 x 50x50x1.6mm SHS (3000mm)
 2 x 55mm Channel (3000mm)
 1 x 55mm Channel (refer Column A Table 1)
 1 x Prodek sheet (2400mm)
 1 x 'Z' Rail (refer Column A Table 1)
 1 x Mullion (3000mm) if applicable
 Note: Add 300mm for 2700mm high shed



Panel Layout

| CODE | G36 | G38 | G46 | G48 | G506 | G508 | G56 | G58 | G66 | G68 | G606 | G608 |
|------|------|------|------|------|------|------|------|------|------|------|------|------|
| A | 1900 | 2500 | 1900 | 2500 | 1900 | 2500 | 1900 | 2500 | 1900 | 2500 | 1900 | 2500 |
| B | 2160 | 2910 | 2160 | 2910 | 2160 | 2910 | 2160 | 2910 | 2160 | 2910 | 2160 | 2910 |
| C | 5960 | 7910 | 5960 | 7910 | 5960 | 7910 | 5960 | 7910 | 5960 | 7910 | 5960 | 7910 |

Table 1

STEP FOUR

Run a bead of silicone along one of the 55mm corner channels (3000mm long for 2400 high and 3300mm for 2700 high shed) making sure the bead is on the short leg. Place against the back of

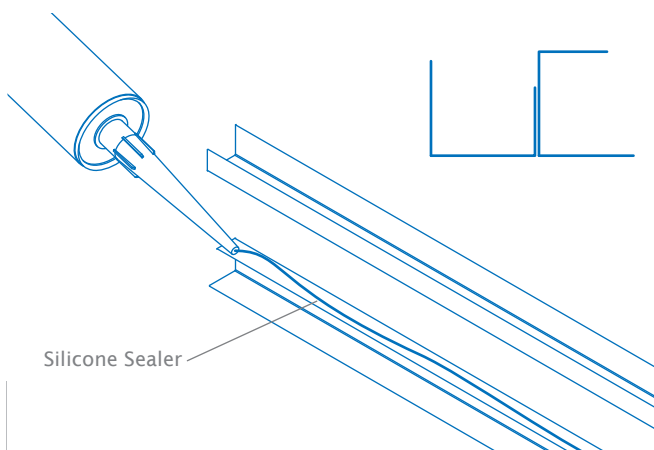


Figure 1

another 55mm corner channel (Figure 1). Using 10 x 16 self drilling screws secure the channels together with screws 100mm from each end and at a maximum 600mm centres (Figure 2).

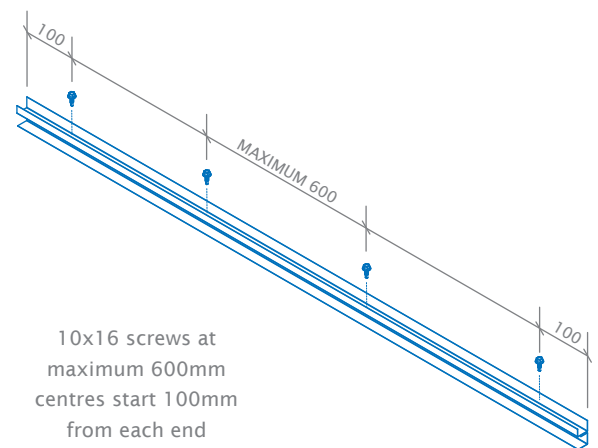


Figure 2



STEP FIVE

With two 10 x 16 self drilling screws attach the top 55mm channel to the corner post and mullion (Figure 3).

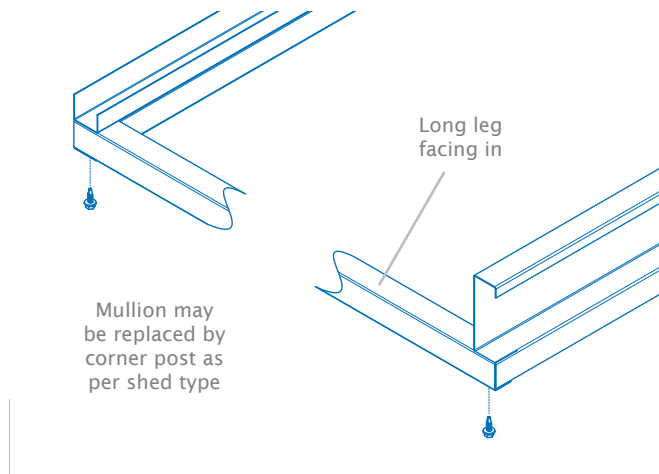


Figure 3

With four M10 x 65 bolts, washers and nuts attach both 50 x 50 x 1.6mm SHS posts to the top 55mm channel and bottom Z rail (Figure 5). Refer Table 1 for post locations. Check panel squareness (Figure 7).

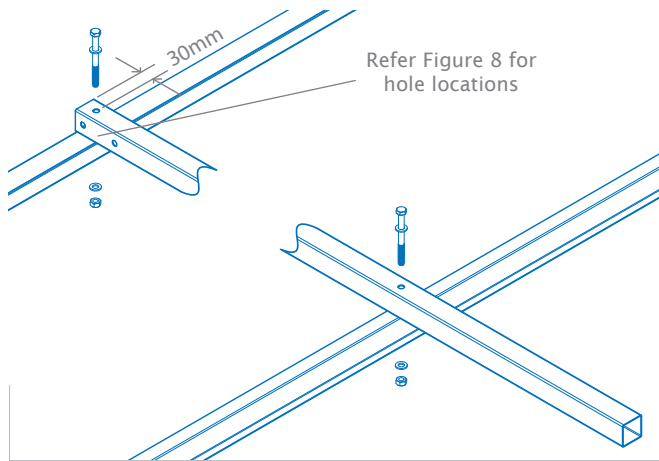


Figure 5

With two 10 x 16 self drilling screws attach the bottom Z rail to the corner post and mullion with the long leg inward (Figure 4).

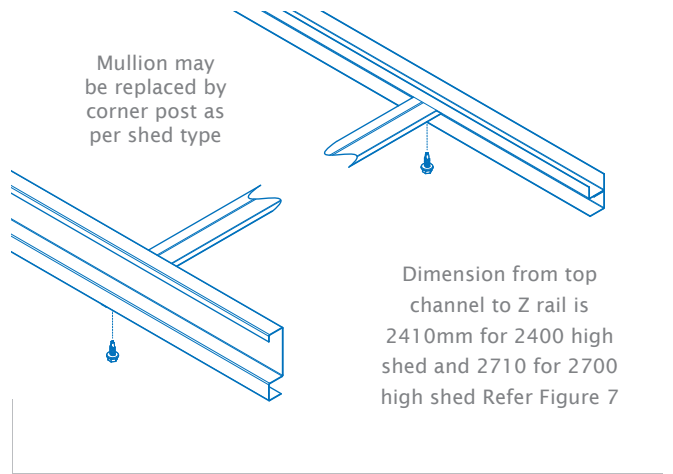


Figure 4

To assist in maintaining panel squareness you may install one Prodek sheet (Figure 6).

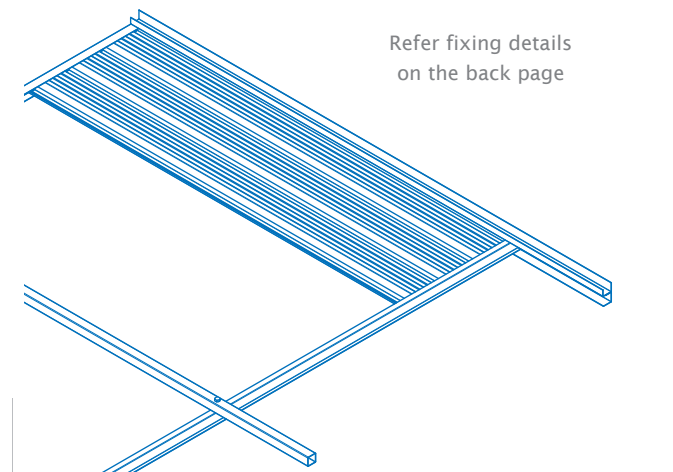


Figure 6

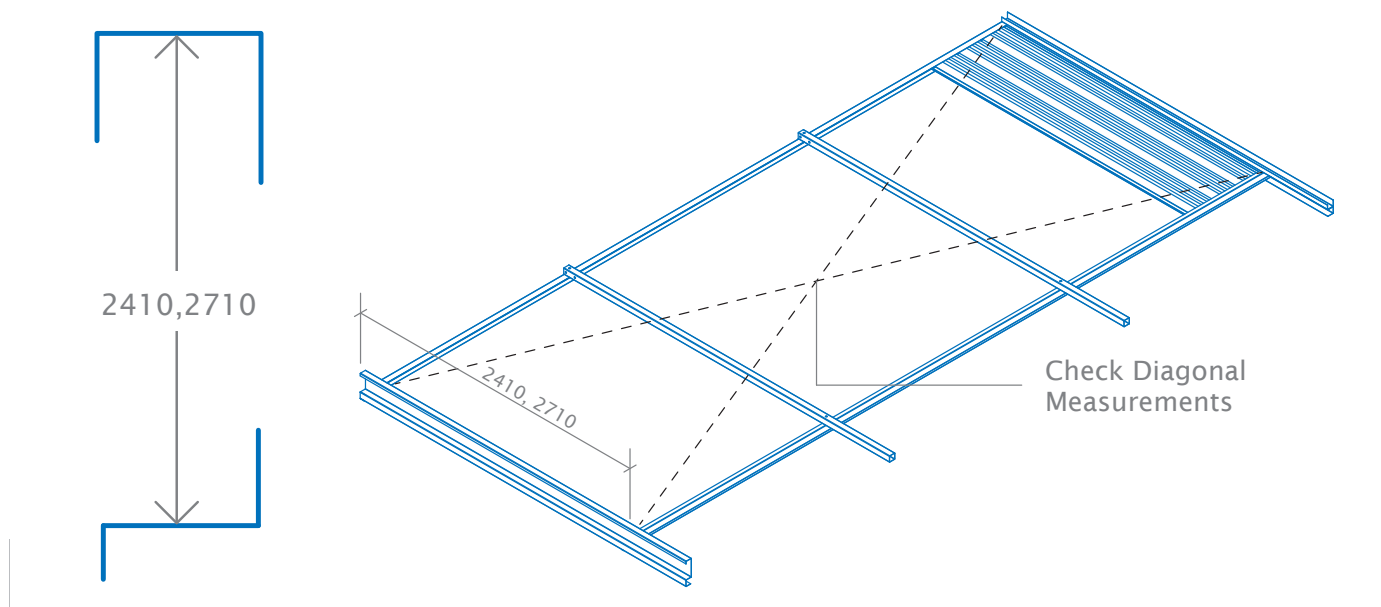


Figure 7

STEP SIX

Layout the second side panel and repeat step four and five.

STEP SEVEN

Carefully lift up one panel and place in holes. Secure with temporary supports. Repeat this operation for the other panel. If you have not already done so place a bearer (e.g. an old brick) in the bottom of each hole to prevent the posts penetrating through the soil. Place a 55mm channel on top of the corner posts at the rear of the shed with the long leg inward and attach with 10x16 self drilling screws. Place another 55mm channel on top of the mullions (or corner posts) at the front of the shed with the long leg inward and attach with 10x16 self drilling screws. Place a Z rail 2410mm from the top

channel at the rear of the shed with the long leg inward and attach with two 10 x 16 self drilling screws. Ensure the Z rail is level with the Z rails previously installed. Lift a C section rafter into place and temporarily support while ensuring the top is 30mm higher than the top of the SHS. This provides the correct height for the slope of the roof sheets. Fix the C section rafter to each SHS using two M10 x 65 bolts at 80mm centres with the first bolt 20mm from the top of the SHS, ensure two washers are used. Repeat for other C section rafter.

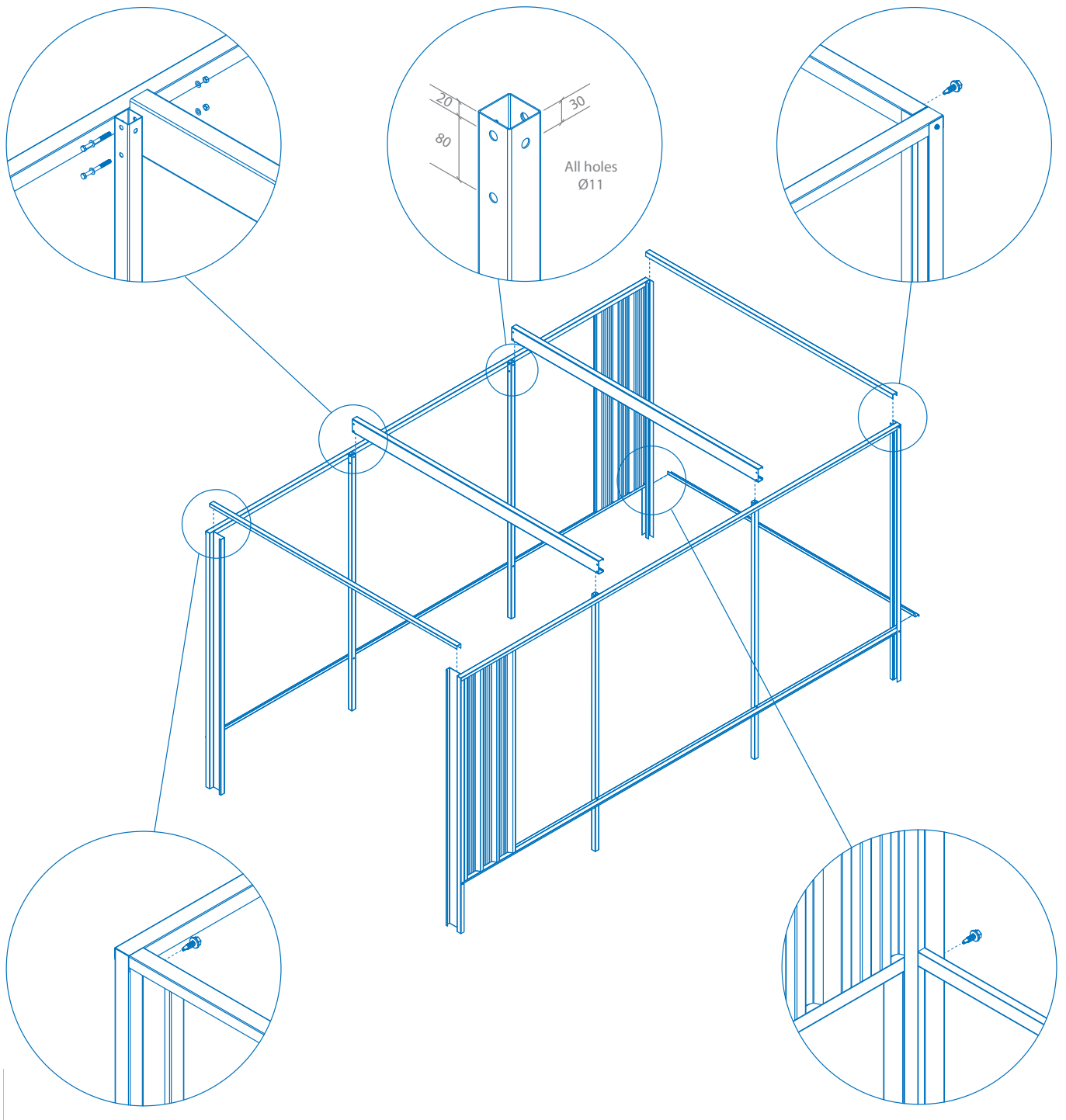


Figure 8



STEP EIGHT

Depending on which of the Homesheds you have purchased an extra 50 x 50 x 1.6mm SHS may need installation in the rear wall. Refer to the Table 2 and Figure 9 for measurements. With two M10 x

65 bolts attach the 50 x 50 x 1.6mm SHS to the top 55mm channel and bottom Z rail, ensure two washers are used (Figure 10 & 11).

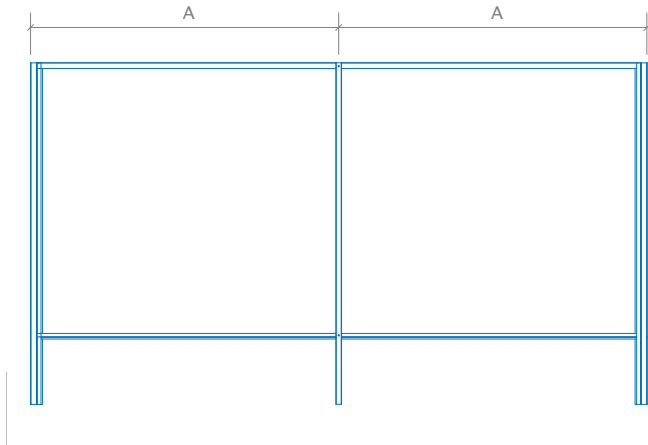


Figure 9

| CODE | DESCRIPTION | A |
|------|--------------------------------------|------|
| G36 | UNIVERSAL | n/a |
| G38 | UNIVERSAL WITH HANDIMAN EXTENSION | n/a |
| G46 | SPACEMASTER | n/a |
| G48 | SPACEMASTER WITH HANDIMAN EXTENSION | n/a |
| G506 | WORKSHOP | 2382 |
| G508 | WORKSHOP WITH HANDIMAN EXTENSION | 2382 |
| G56 | DUO | 2707 |
| G58 | DUO WITH HANDIMAN EXTENSION | 2707 |
| G606 | ALL ROUNDER | 3007 |
| G608 | ALL ROUNDER WITH HANDIMAN EXTENSION | 3007 |
| G66 | LEISURE KING | 3357 |
| G68 | LEISURE KING WITH HANDIMAN EXTENSION | 3357 |

Table 2

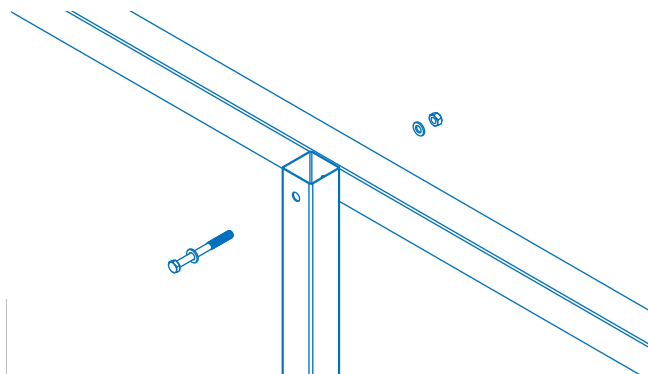


Figure 10

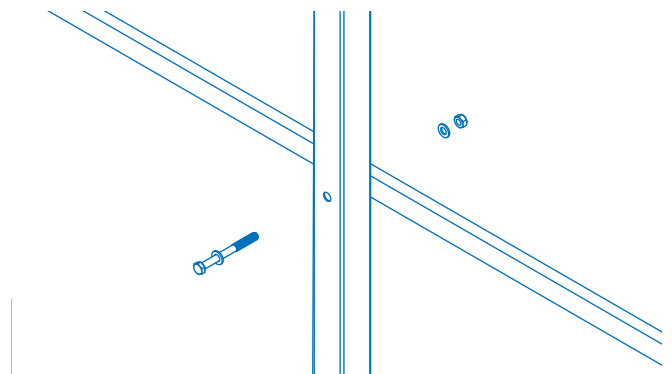


Figure 11

STEP NINE

Depending on which of the Homesheds you have purchased an extra one or two mullions may need installation to support the roller door/s. Refer to the Table 3 and Figure 13 for measurements. With two 10 x 16 self drilling screws attach the mullion/s to the inward facing long leg of the top 55mm channel (Figure 12).

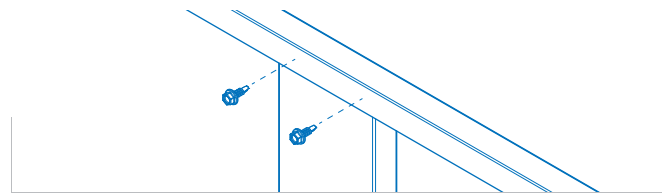


Figure 12

| CODE | A | B | C |
|------|------|------|-----|
| G36 | n/a | n/a | n/a |
| G38 | n/a | n/a | n/a |
| G46 | n/a | 500 | 500 |
| G48 | n/a | 500 | 500 |
| G506 | n/a | 1304 | n/a |
| G508 | n/a | 1304 | n/a |
| G56 | 2400 | n/a | n/a |
| G58 | 2400 | n/a | n/a |
| G606 | 2700 | n/a | n/a |
| G608 | 2700 | n/a | n/a |
| G66 | 3050 | n/a | n/a |
| G68 | 3050 | n/a | n/a |

Table 3

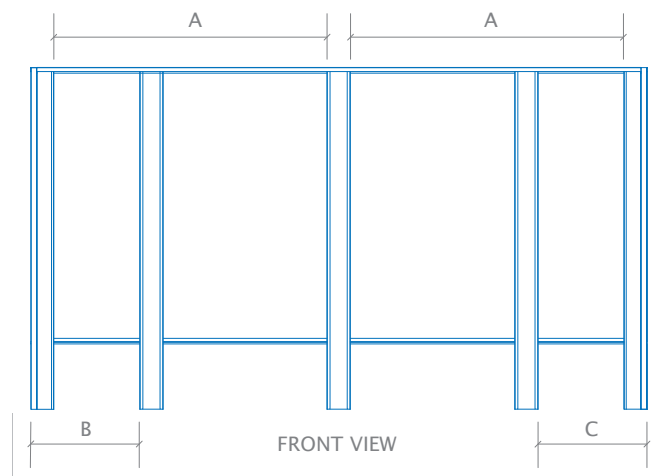


Figure 13

For Homesheds requiring mullions in the B and C positions additional components are supplied. Refer to the roller door instruction manual, you will need to install the roller door bracket/s before completing this step. Install the mullion flashings to the mullion, ensure the flashing is flush against the 55mm top channel (Figure 14). Using rivets attach the flashing to the mullion 100mm

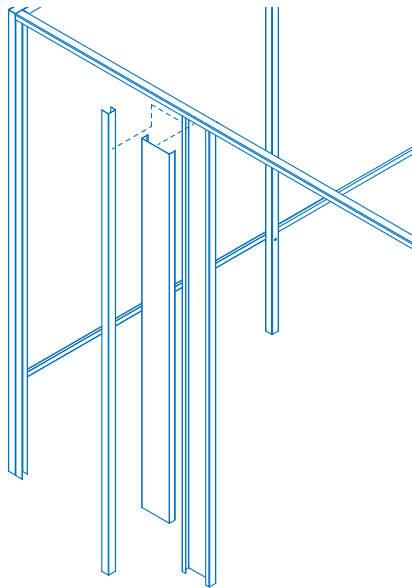


Figure 14

from the top and bottom and mid-height, both sides (Figure 20). Install the 55mm channel using 10 x 16 self drilling screws as per corner posts (Figure 14). With two 10 x 16 self drilling screws attach the bottom Z rail to the corner post and mullion with the long leg inward (Figure 15).

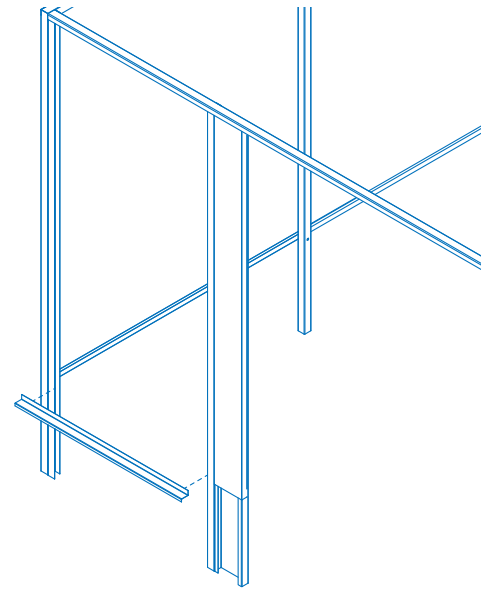


Figure 15

STEP TEN

Depending on which of the Homesheds you have purchased one or two bridging sections may need installation between the rafters. Refer to the Table 4 and Figure 17 for details. Temporarily support the bridging sections in the required positions. Each bridging section is attaching using four M10 x 25 bolts, ensure a washer is used on the bolt side and the nut side (Figure 16).

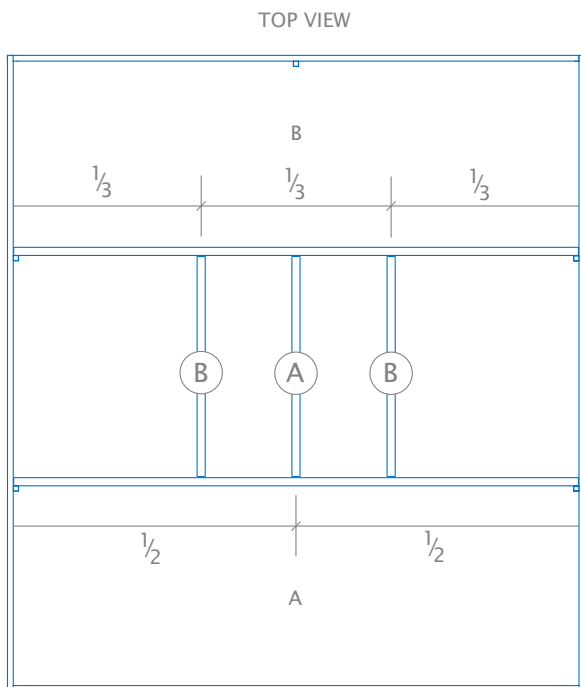


Figure 17

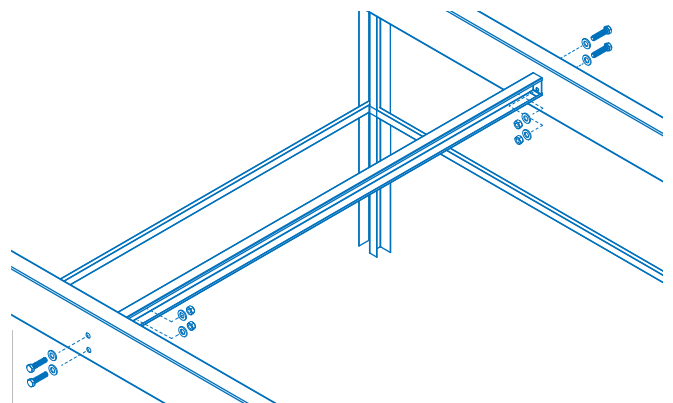


Figure 16

| CODE | RAFTER SIZE | | BRIDGING | |
|------|-------------|--------|----------|--------|
| | CAT. 3 | CAT. 2 | CAT. 3 | CAT. 2 |
| G36 | C15019 | C15019 | n/a | n/a |
| G38 | C15019 | C15019 | n/a | n/a |
| G46 | C20015 | C20015 | n/a | A |
| G48 | C20015 | C20015 | n/a | A |
| G506 | C20015 | C20015 | n/a | A |
| G508 | C20015 | C20015 | n/a | A |
| G56 | C20015 | C20019 | n/a | A |
| G58 | C20019 | C20019 | n/a | A |
| G606 | C20015 | C20019 | A | A |
| G608 | C20015 | C20019 | A | A |
| G66 | C20015 | C20024 | A | B |
| G68 | C20015 | C20024 | A | B |

Table 4



STEP ELEVEN

Inspect all connections and all members for squareness and levels.
Once you are satisfied proceed to place concrete around all posts.
Use temporary bracing to maintain squareness while concrete sets.

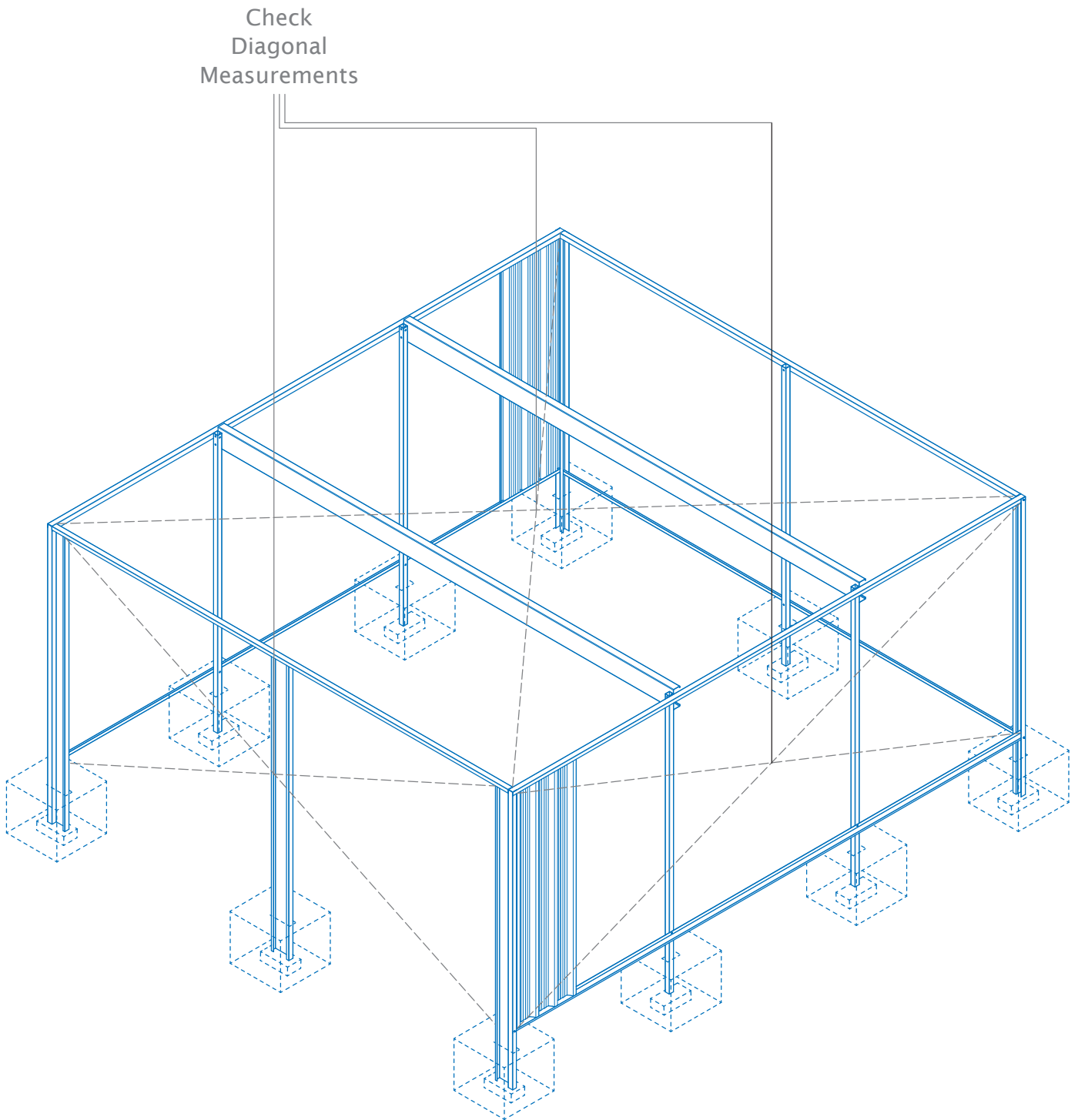


Figure 18



STEP TWELVE

Before installing any of the mullion flashings refer to the roller door instruction manual, the roller door brackets require installation before completing this step. Install the mullion flashings to the mullions, ensure the flashing is flush against the 55mm top channel (Figure 19). Using rivets attach the flashing to the mullion 100mm from the top and bottom and mid-height, both sides (Figure 20).

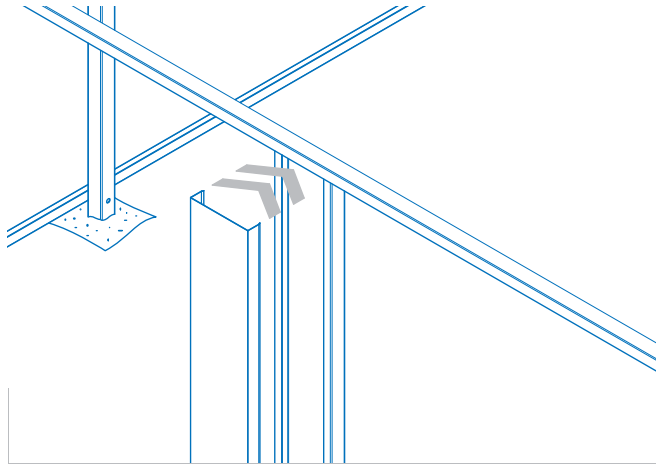


Figure 19

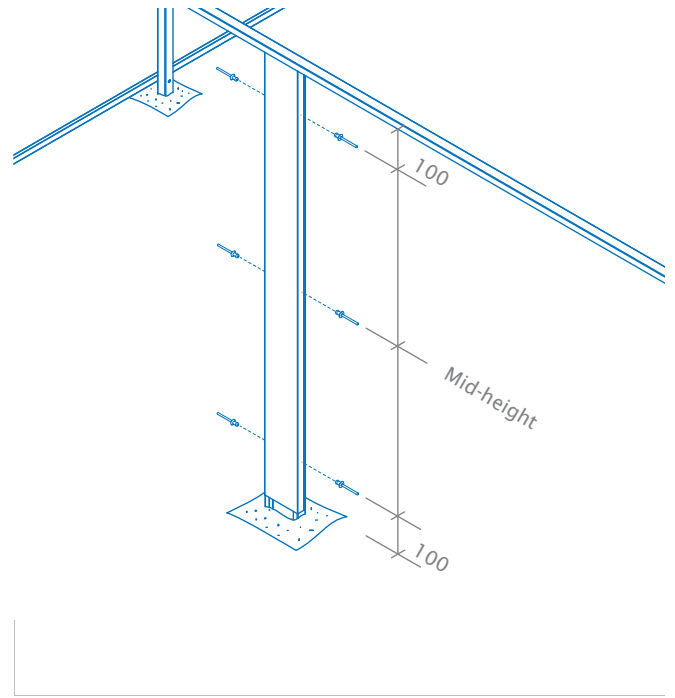


Figure 20

STEP THIRTEEN

Using three rivets install the infill bracket to the mullion, mullion flashing should be attached (Figure 21). Repeat for all infill brackets as per shed requirements. Place the infill flashing between the mullions to determine if any trimming is necessary, if so use tin snips to evenly trim both ends of the flashing (Figure 22). Use eight rivets to secure the infill flashing in position. Using three rivets secure each end to the infill brackets, then evenly space the remaining two rivets fixing to the 55mm top channel (Figure 23).

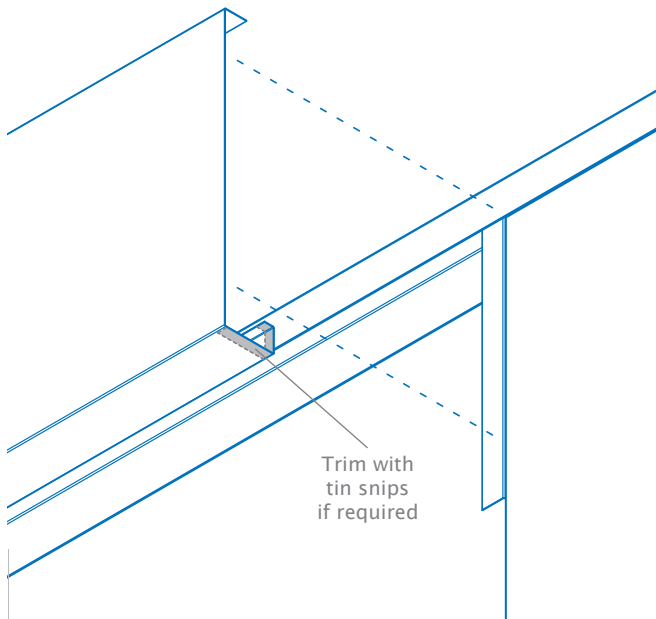


Figure 22

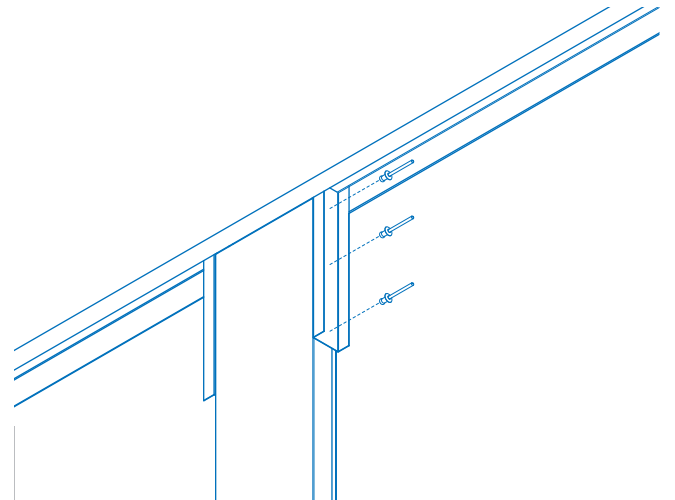


Figure 21

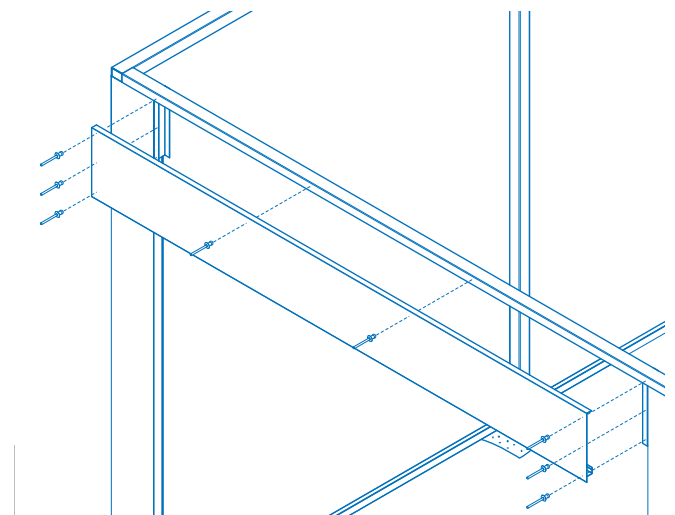


Figure 23



STEP FOURTEEN

Locate your position for the P.A. door, the example provided is for a left hand hung door 1½ sheets from the corner post (Figure 24). The space for the P.A. door can be created by half lapping one sheet over another full sheet. To eliminate cutting sheets it is recommended you temporarily locate both jambs in their

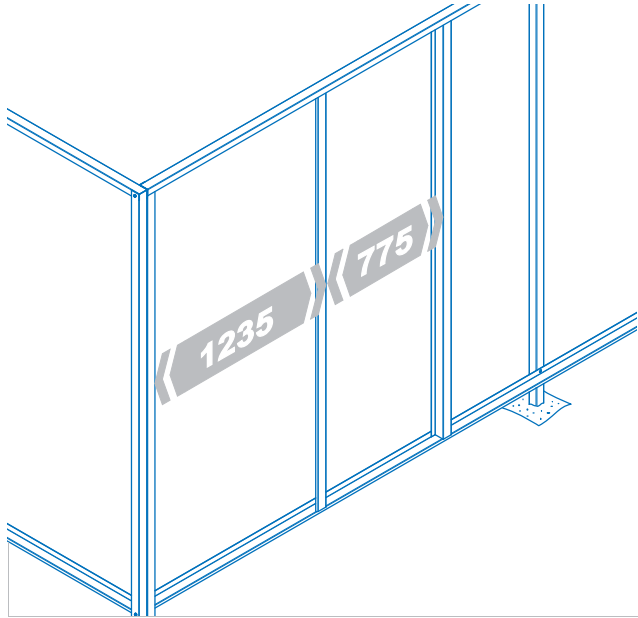


Figure 24

Secure sheets with one rivet per crest at the top, two rivets per pan at the base and one rivet mid-span at the join between sheets (Figure 27). Remeasure the door jambs and adjust if necessary (Figure 24). Install the remaining wall sheets working from the other corner post toward the door jamb (Figure 26). Half lapping one sheet over another full sheet (Figure 65). Secure sheets with one rivet per crest at the top, two rivets per pan at the base and one rivet mid-span at the join between sheets (Figure 28).

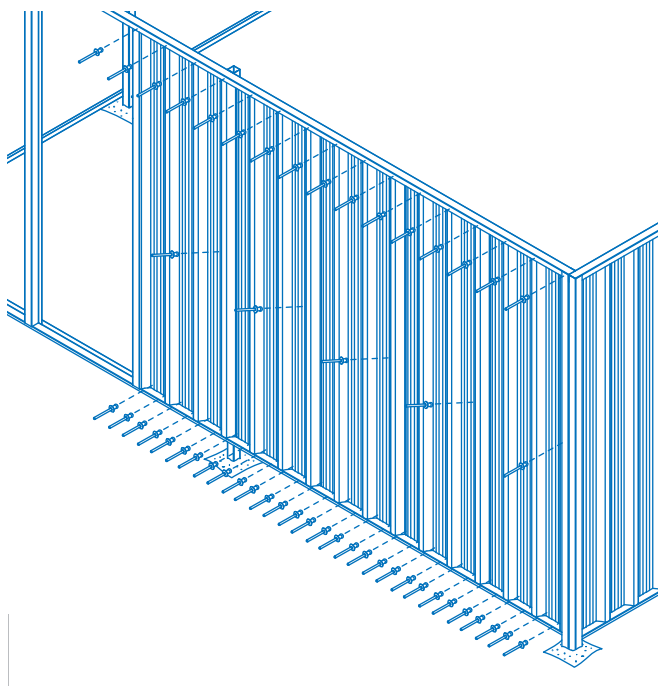


Figure 27

approximate positions. Lay the wall sheets on the ground lining up all sheets with the intended position of the P.A. door. Proceed to install the wall sheets from the corner post working toward the door jamb (Figure 25). Refer sheet fixing detail (Figure 65).

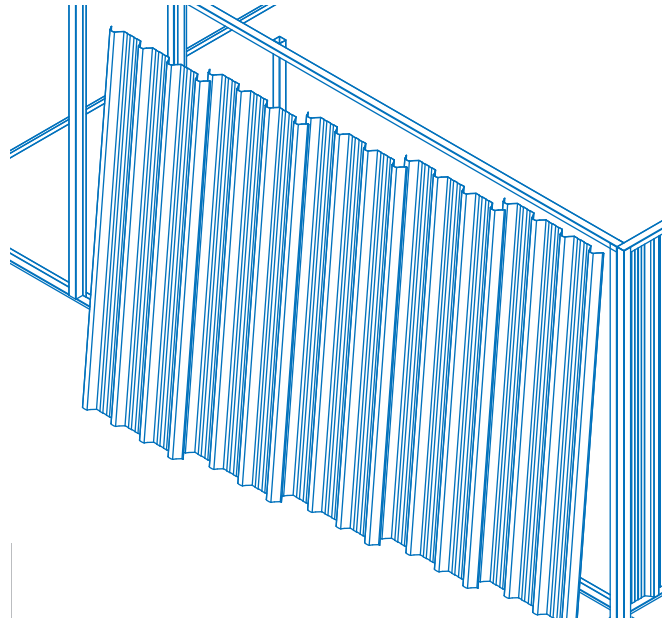


Figure 25

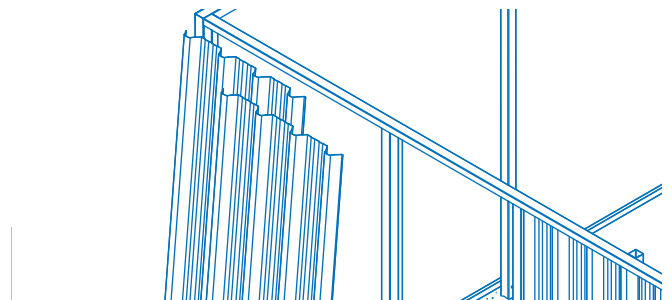


Figure 26

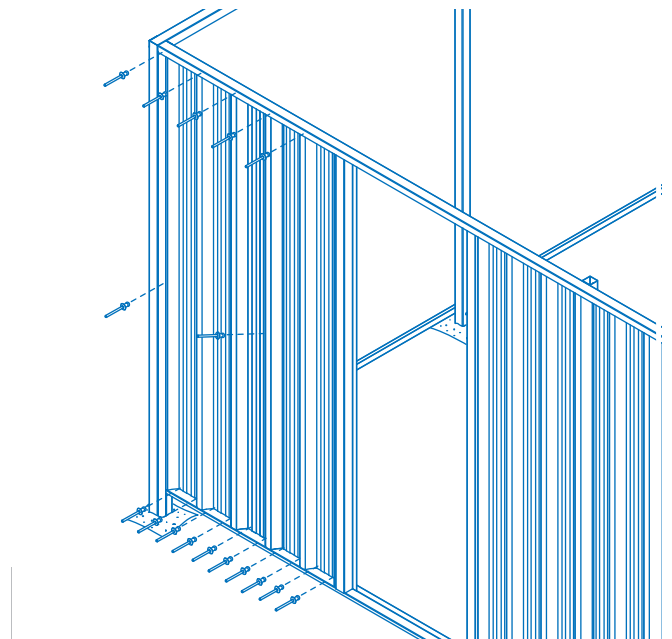


Figure 28

STEP FIFTEEN

Remeasure the door jambs and adjust if necessary (Figure 24). Install the door jamb from which the door will be hung, using a 10x16 self drilling screw attached to the top channel and a rivet attached to the bottom Z rail (Figure 29). Position the remaining door jamb and check the Z section door stop and infill will fit

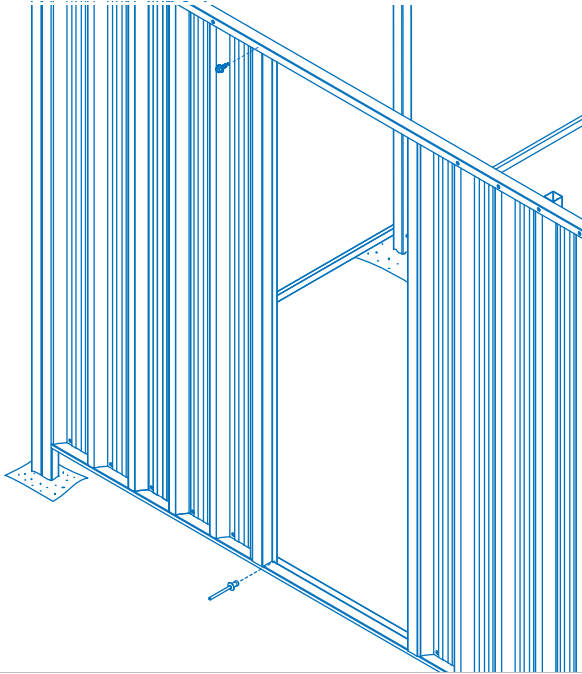


Figure 29

With both door jambs installed attach the Z section door stop and infill using eight rivets (Figure 31). You may find it easier to attach the Z section door stop to the infill first then attach to the door jambs and top channel. Position the door so there is even space at

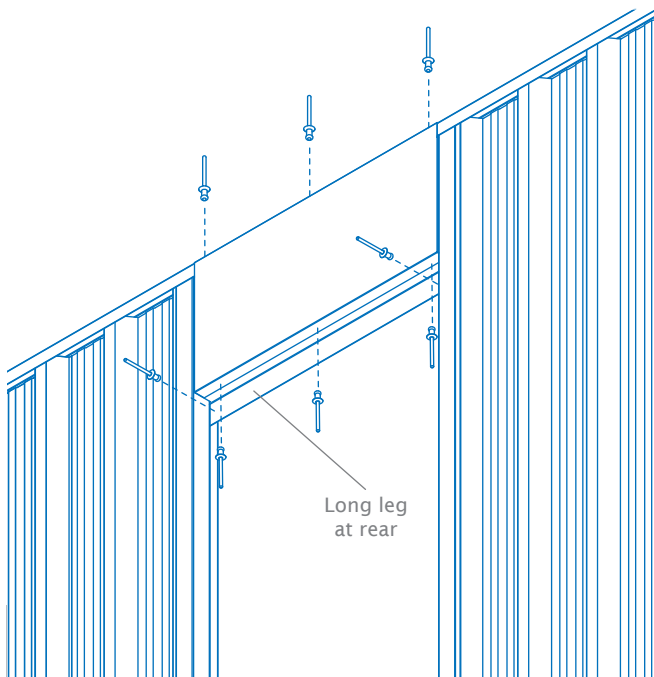


Figure 31

(Figure 30). Check measurements against P.A. door to ensure there is enough room to open and close the door. Install remaining door jamb using a 10x16 screw attached to the top channel and a rivet attached to the bottom Z rail (Figure 29).

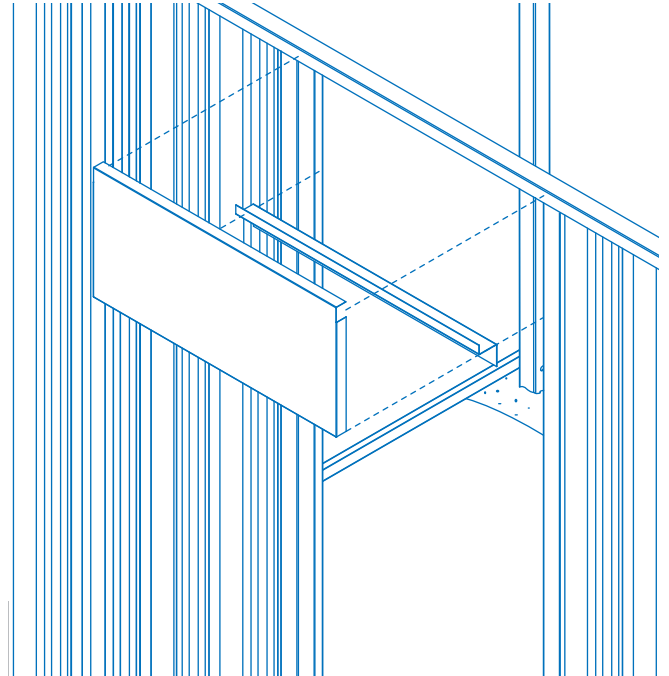


Figure 30

the top and bottom. Fix to the jamb using four 10x16 wafer head screws per hinge (Figure 32). Close the door and check it opens and closes without interference.

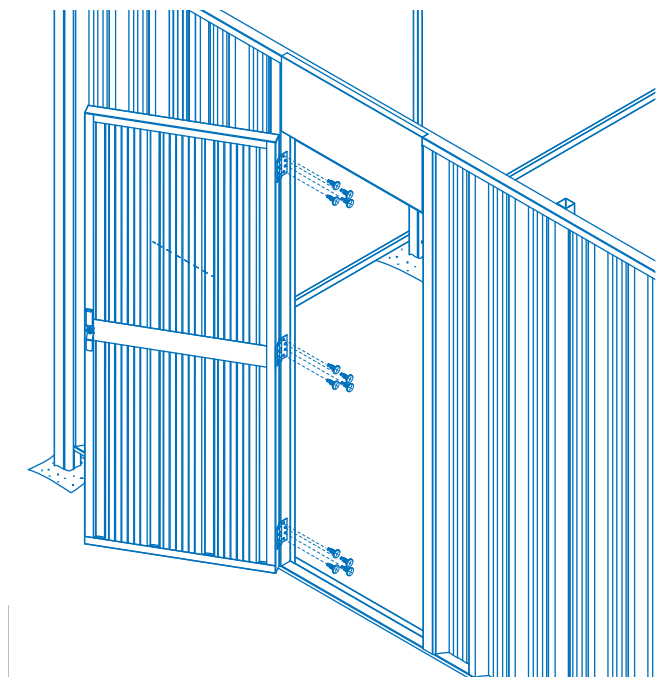


Figure 32



STEP SIXTEEN

Start the installation of the remaining wall sheets from a corner post and work toward the other post. Before fixing wall sheets trial layout sheets in the panel to ensure last sheet fits correctly into the corner. Correct spacing of the wall sheet is best achieved by marking top and bottom tracks and fixing sheets to these marks. Z rail base should be temporarily supported to take out any bowing

while installing wall sheets. Secure sheets with one rivet per crest at the top, two rivets per pan at the base and one rivet mid-span at the join between sheets. Refer to sheet fixing details (Figure 65). Ensure all wall sheets are secured with rivets into corner channels and door jambs top, bottom and mid-height. Optional dust proofing foam can be trimmed to suit and installed after Prodek.

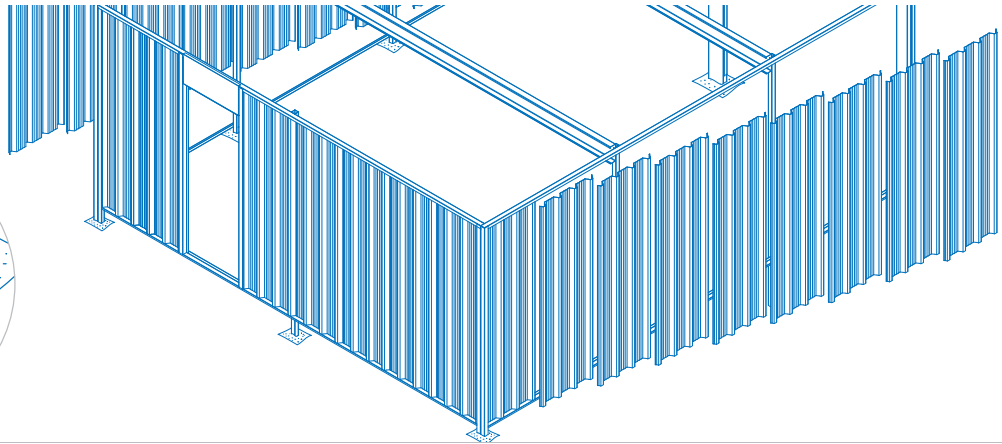
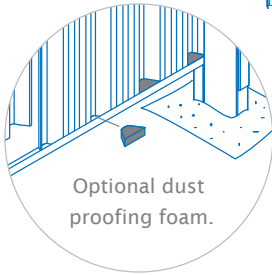


Figure 33

STEP SEVENTEEN

Position the corner post flashing ensuring the bottom edge is sitting on top of the bottom Z rail (Figure 34). Trim the top of the corner post flashing as required (Figure 36). Secure flashing with rivets at maximum 500mm centres starting 20mm from each end. (Figure 35). Repeat for all corners.

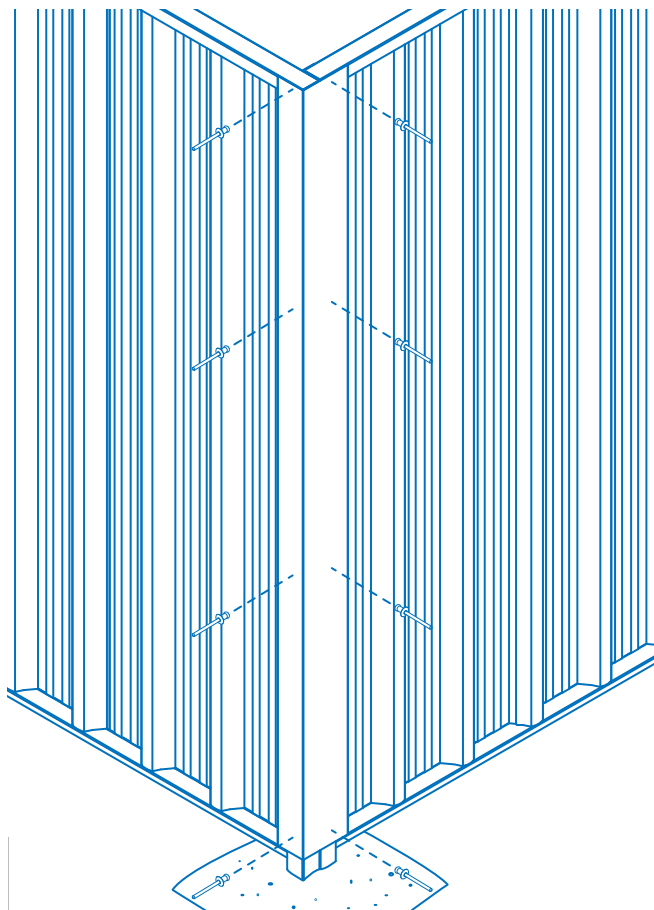


Figure 35

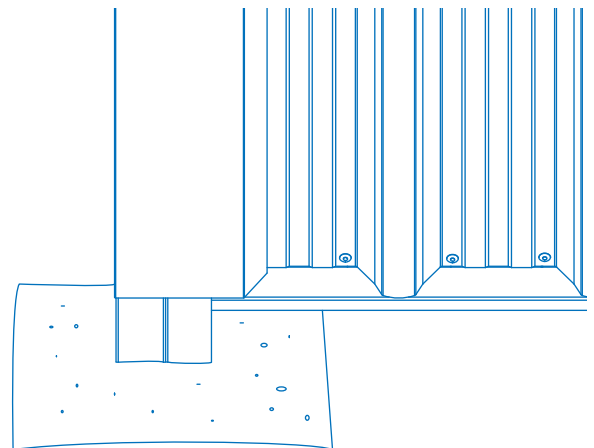


Figure 34

Trim with tin snips if required

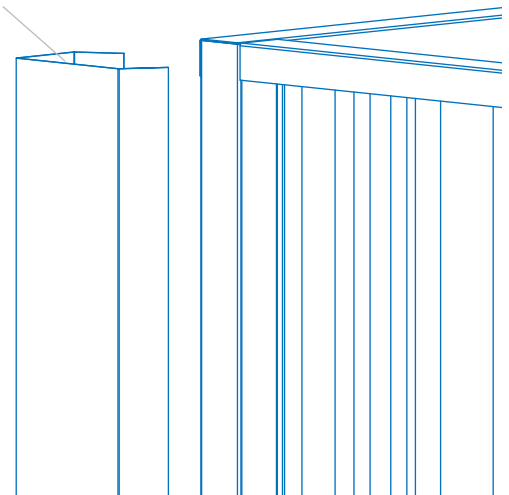


Figure 36



STEP EIGHTEEN

Refer to the Gutter Installation step before completing Step 18. Before laying the roof sheets pans must be turned down at each end 45° to the horizontal (Figure 37). Optional dust proofing foam can be placed between Prodek and top channel (Figure 38). Place the Prodek roof sheets on the C section rafter. Start laying the sheets from the outside edge of the top channel on the long side.

Installing one sheet at a time ensuring sheet overhang is even at each end, fix using one 10x16 screw per pan into C section rafter and top channels (Figure 39). Refer sheet fixing details (Figure 65). If translucent sheeting is used ensure at least one steel sheet is secured each side. Translucent sheeting is not to be walked on.

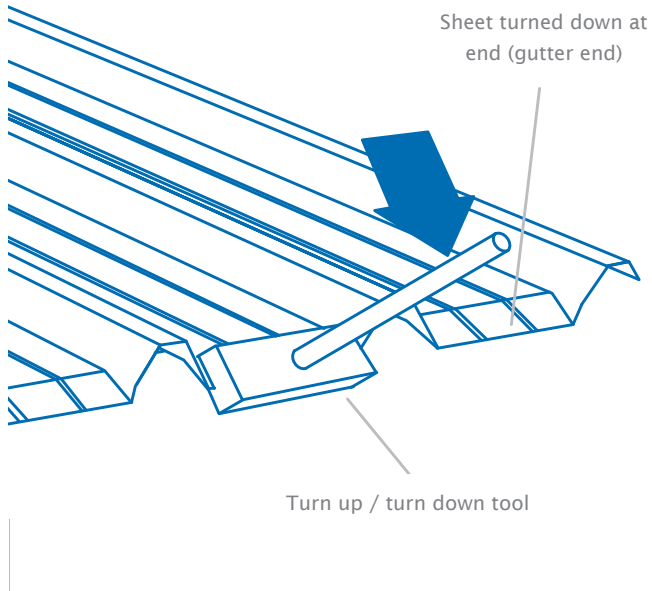


Figure 37

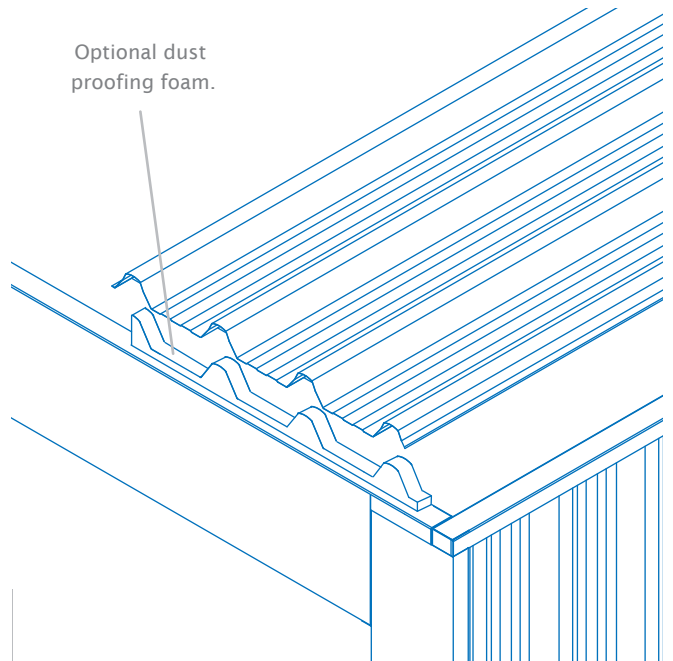


Figure 38

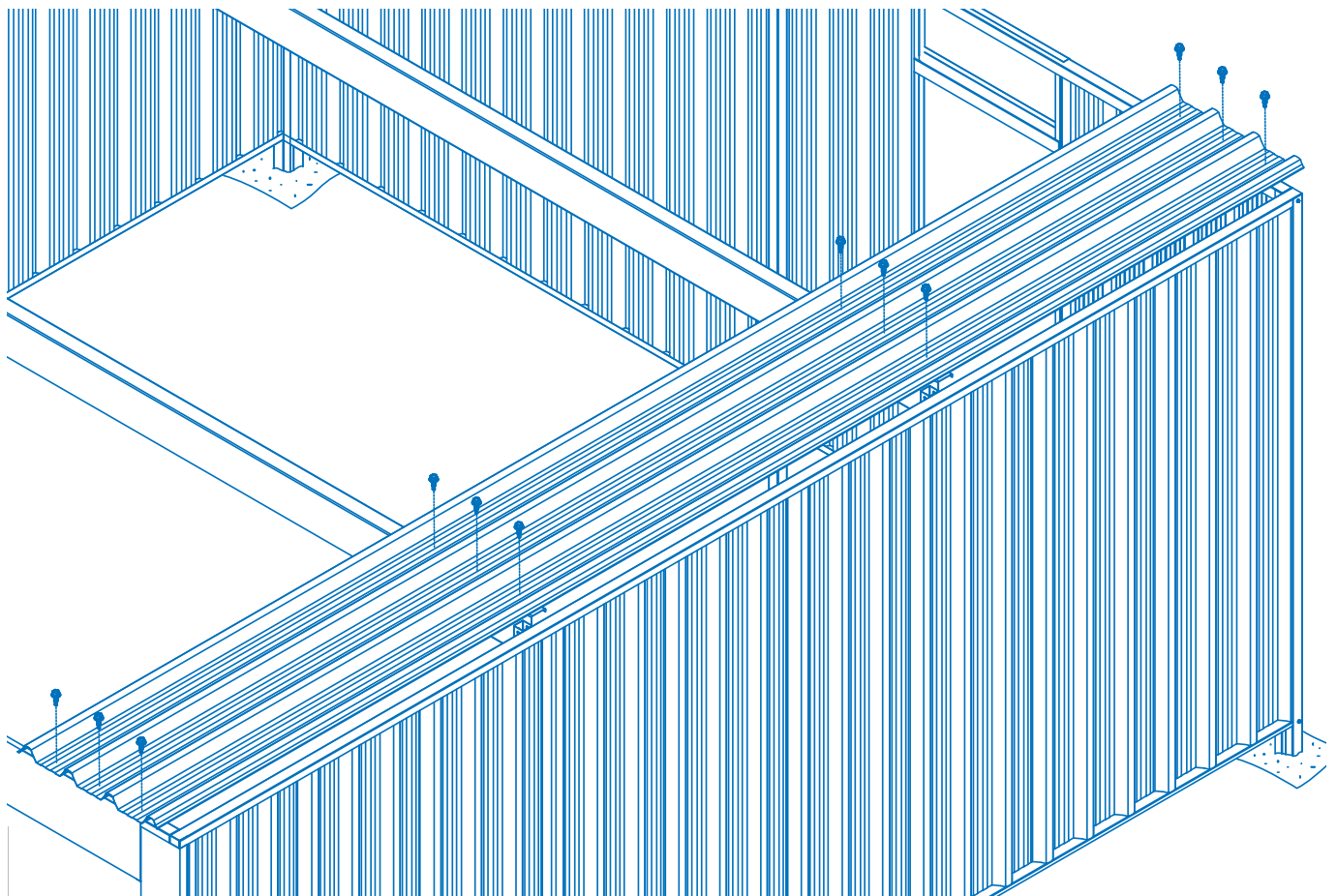


Figure 39



STEP NINETEEN

Refer to the Gutter Installation section of the instructions before completing Step 19. Make a mark mid-span on the top of the first crest of the roof and position the barge flashing so the end is minimum 5mm past the mark. Fix with two 10x16 screws (Figure 40). Position the other barge flashing so the ends overlap by minimum 10mm. Fix two more 10x16 screws into top channel

(Figure 41). Fix a 10x16 screw mid-span so that it penetrates both barge flashings and the top channel. Fix a 10x16 screw mid-span so that it penetrates both barge flashings and the first crest of the roof sheet. Fix two more 10x16 screws at either end again penetrating the crest of the roof sheet (Figure 41). Repeat the procedure for the opposite side.

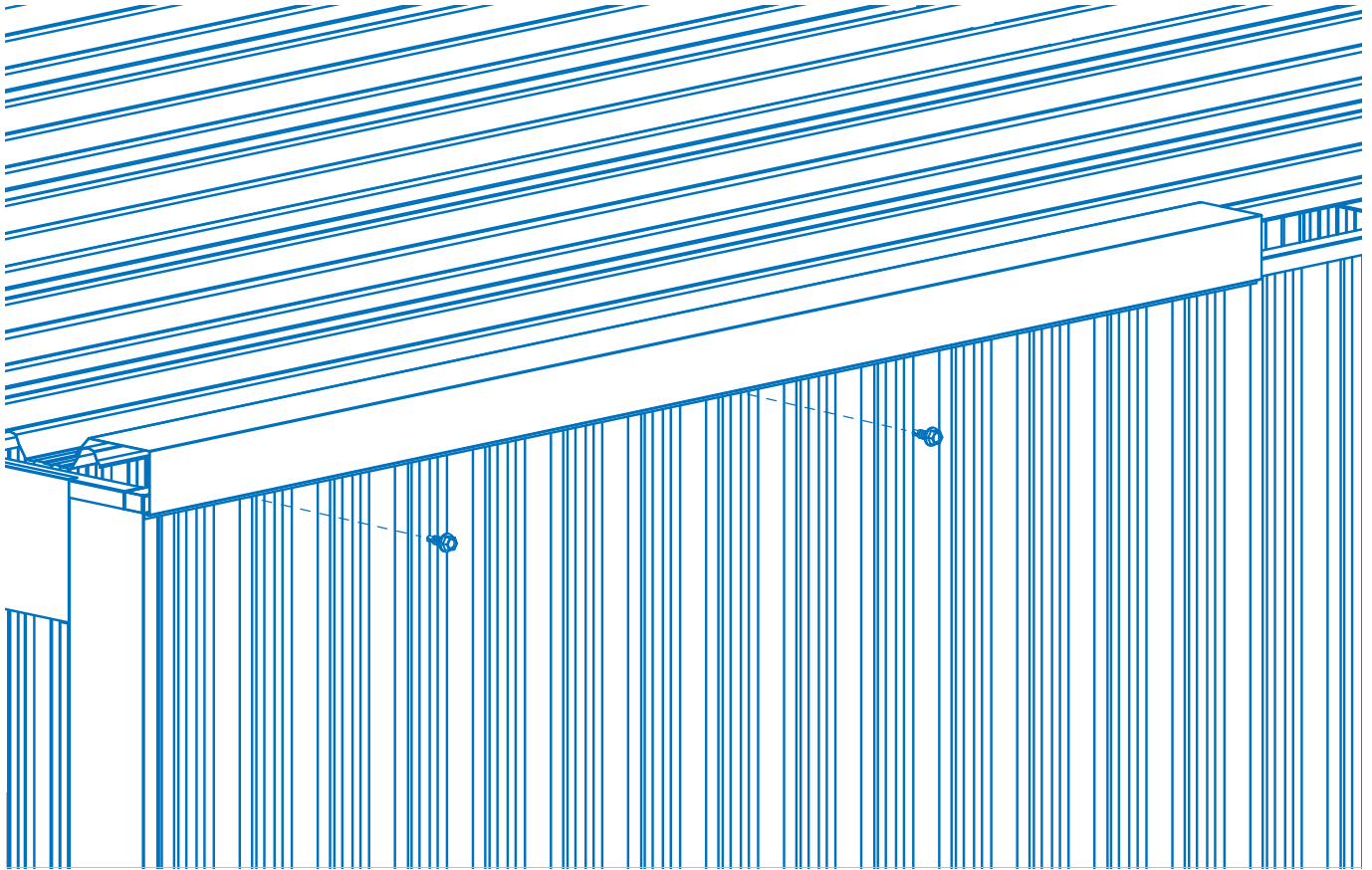


Figure 40

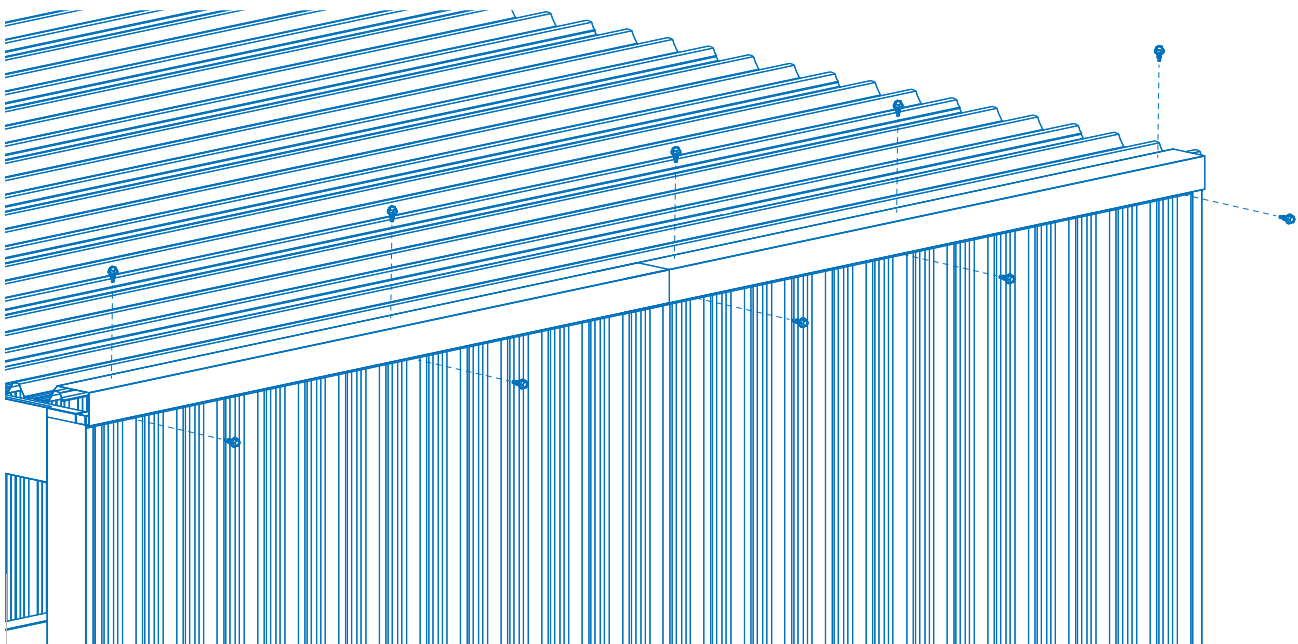


Figure 41



GUTTER INSTALLATION

Gutter components are detailed in the list below. First prepare each of the gutters ready for installation. Select the location of the downpipe and install the downpipe outlet into one of the gutters. Place the outlet up against the back of the gutter approximately 40mm from the end and trace around the outlet. Cut out the

- 2 x VF gutters
- 2 x Left gutter stop end
- 2 x Right gutter stop end
- 8 x GP straps
- 2 x Downpipe outlet
- 2 x Downpipe bracket
- 2 x Downpipe

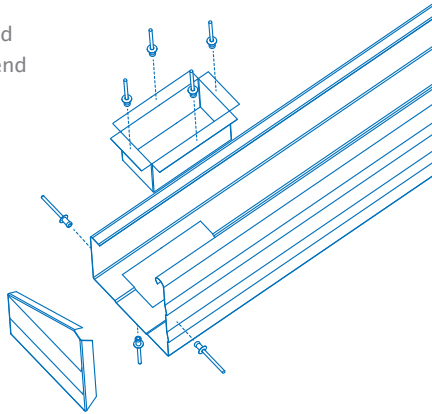


Figure 42

Using tin snips make a pair of cuts 20mm apart, 150mm from the end of the gutter. Bend the tab back over itself (Figure 44). Repeat for the other end and evenly space with a maximum spacing of

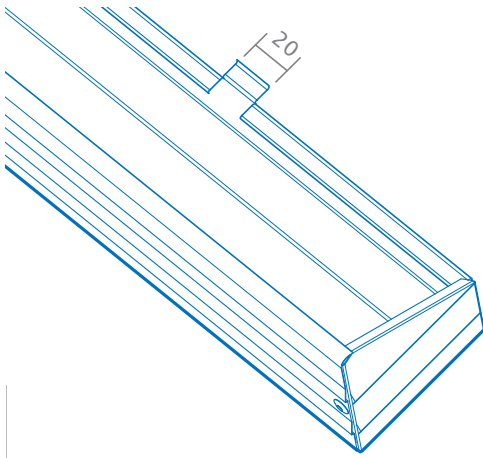


Figure 44

After Step 18 has been completed you can install the gutter brackets. Place the first bracket under the lip of the gutter with the flat end in the middle of the second roof sheet pan from the edge, bend the bracket to match the angle. Place a small amount of silicone on the

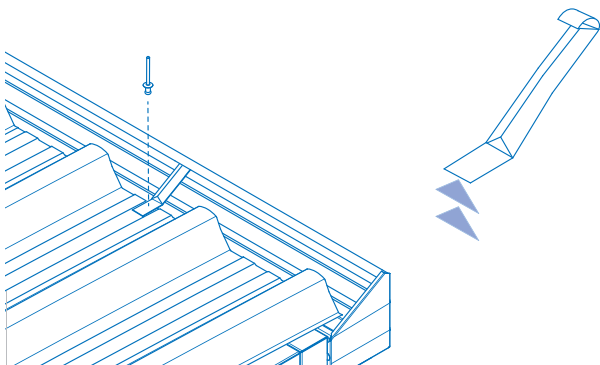


Figure 46

appropriate sized hole to ensure the outlet fits snugly. Attach the downpipe outlet and stop ends with rivets (Figure 42). Seal around the edge of the downpipe outlet and stop ends with silicone (Figure 43).

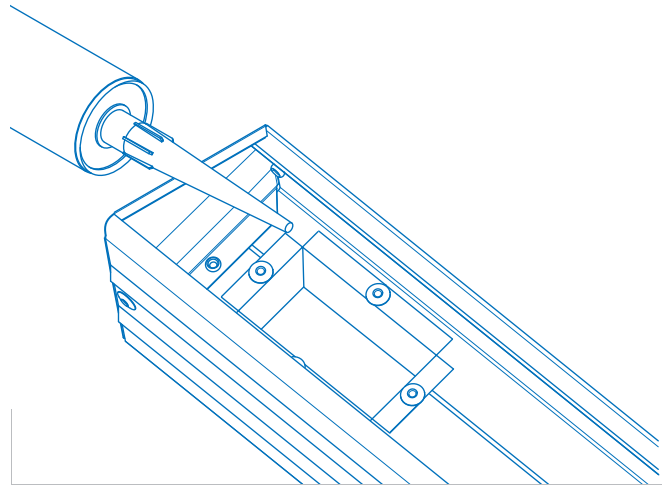


Figure 43

1200mm (Figure 45). Attach gutter to top rail with rivets (Figure 45). Repeat for opposite gutter. Return to Step 18.

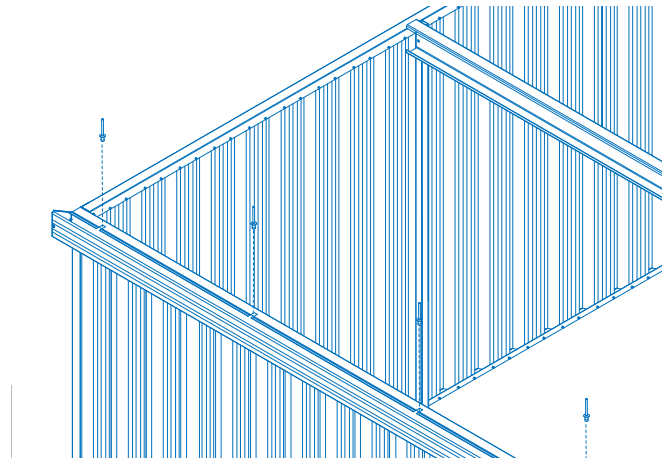


Figure 45

underside of the bracket and attach with a rivet (Figure 46). Repeat for remaining brackets placing one in every fourth pan (Figure 47). Place a small amount of silicone on the top of each rivet to seal. After both gutters are attached return to Step 19.

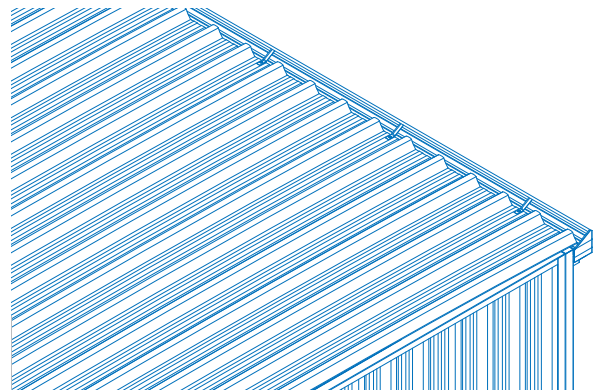


Figure 47



DOWNPIPE INSTALLATION

Cut the downpipes to the required length, allow room for any downpipe shoes or other optional fittings. Place the downpipe over the downpipe outlet and attach with two rivets through both sides of the downpipe (Figure 48). Seal with silicone.

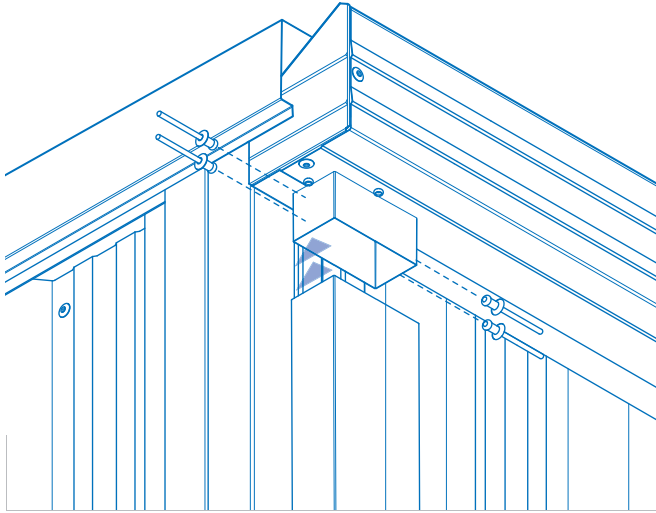


Figure 48

Place the downpipe bracket as close to the ground as possible. Fix the bracket using downpipe rivets (Figure 49). Seal with silicone.

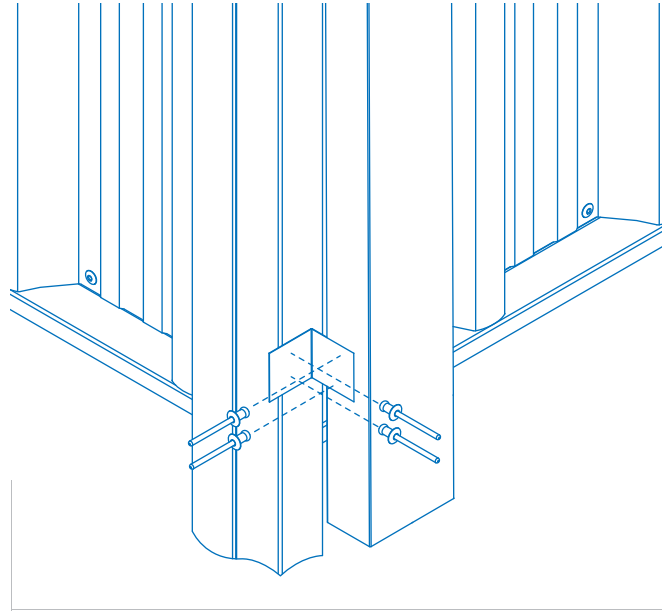


Figure 49

ROLLER DOOR

Install roller door/s, refer to manufacturers specifications and installation instructions.

DOUBLE PA DOOR OPTION

If you have chosen the double door option for your Homeshed there will be one less wall sheet and the Z section door stop and infill will measure 1545mm. Included with the extra P.A. door is a seam flashing. Locate your position for the P.A. doors, the example provided is for a double door hung 1 sheet from left post (Figure 50). The space for the P.A. door can be created by half lapping one sheet over another full sheet. To eliminate cutting sheets it is recommended you temporarily locate both jambs in their approximate positions. Then lay the wall sheets on the ground

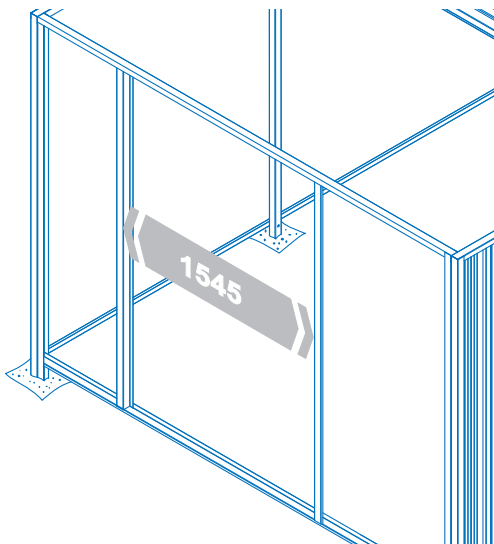


Figure 50

lining up all sheets with the intended position of the P.A. doors. Proceed to install the wall sheets from the corner post working toward the first door jamb (Figure 51). Refer lapping detail (Figure 65). Secure sheets with one rivet per crest at the top, two rivets per pan at the base and one rivet mid-span at the join between sheets (Figure 28). The Z rail base should be temporarily supported during this step. Repeat procedure working back from opposite corner post, you may need to stretch sheets slightly to fit.

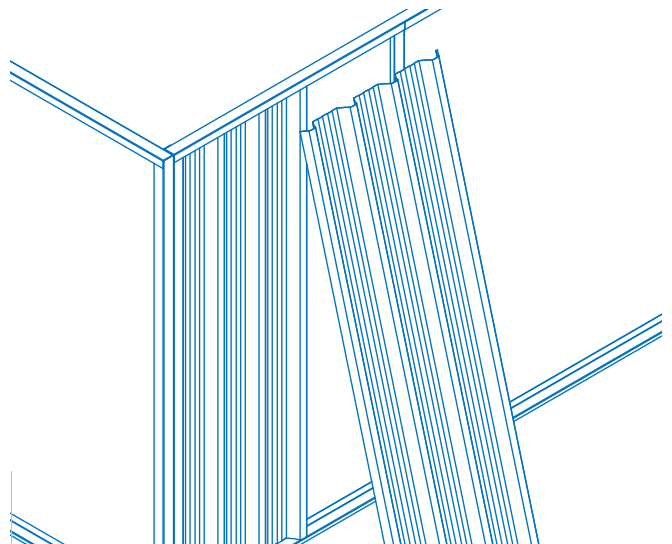


Figure 51

Remeasure the door jambs and adjust if necessary (Figure 50). Install the door jamb from which the door will be hung, using a 10x16 self drilling screw attached to the top channel and a rivet attached to bottom Z rail (Figure 29). Position the remaining door jamb and check the Z section door stop and infill will fit (Figure 52). Check measurements against P.A. doors to ensure there is

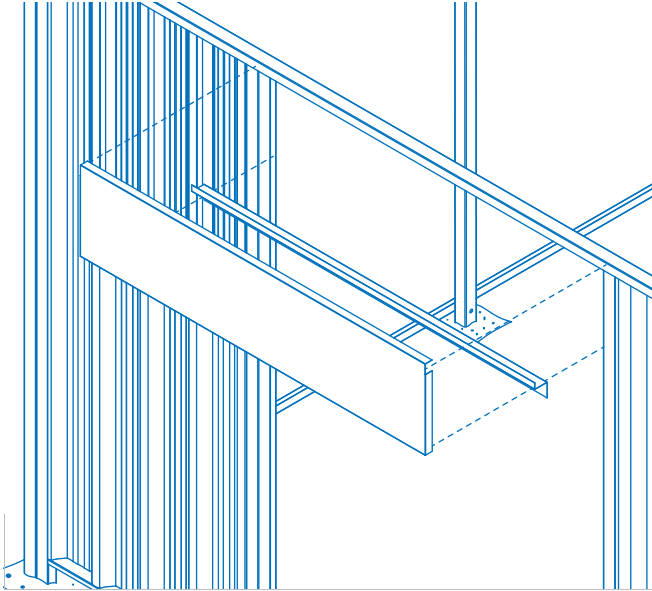


Figure 52

enough room to open and close the doors. Install remaining door jamb using a 10x16 screw attached to the top channel and a rivet attached to the bottom Z rail (Figure 29). With both door jambs installed attach the Z section door stop and infill using ten rivets (Figure 53). You may find it easier to attach the Z section door stop to the infill first then attach to door jambs and top channel.

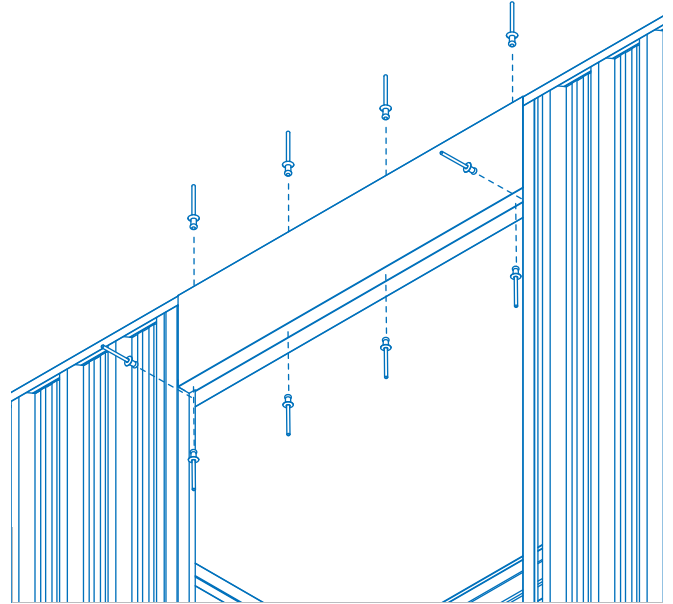


Figure 53

Before fixing the P.A. door to the jamb decide which of the two doors will open first, the handle will attach to this door. Attach the seam flashing to the other door using four 10x16 screws with a recommended 20mm overhang (Figure 54). Position the door so there is even space both top and bottom. Fix to the jamb using four

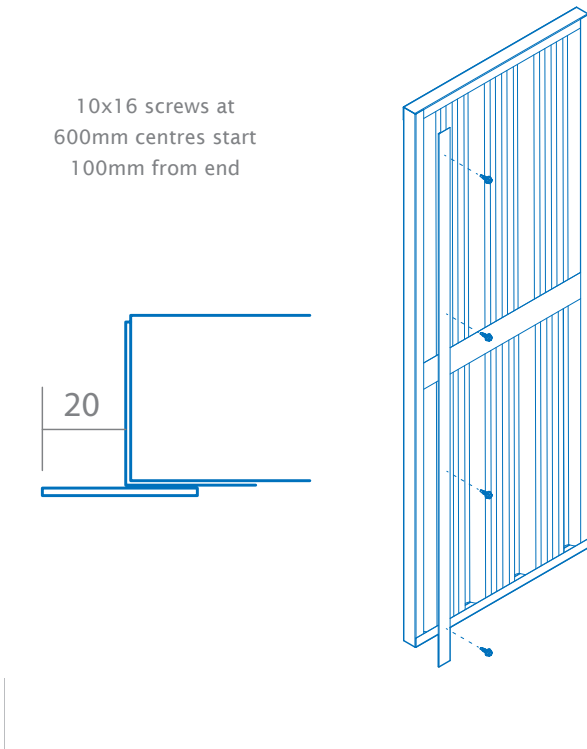


Figure 54

10x16 wafer head screws per hinge (Figure 32). Close the door and check it opens and closes without interference. Position the second door and fix to the jamb using four 10x16 wafer head screws per hinge (Figure 55).

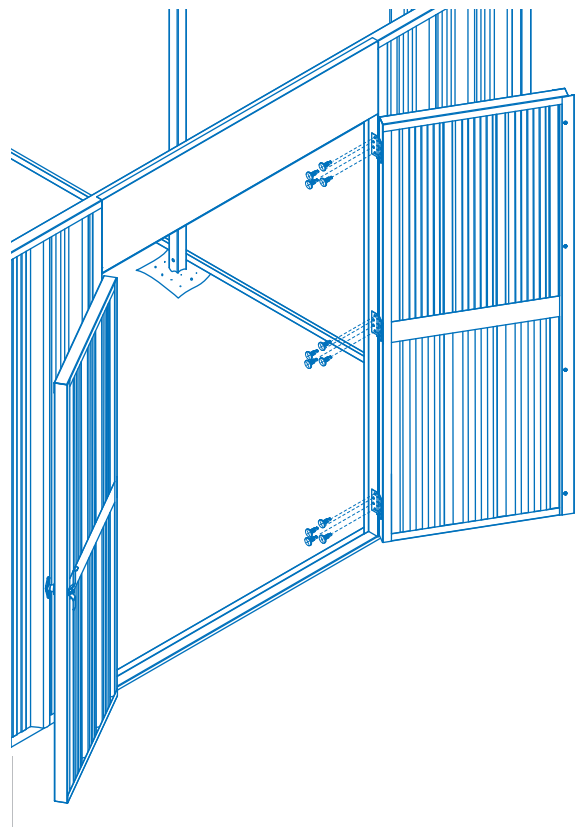


Figure 55



LOUVRED WINDOW OPTION

If you have chosen the louvred window option for your Homeshed, one of the 2400mm walling sheets will need to be trimmed to suit with tin snips. The example provide is for a window one sheet from the corner post on the short side of the shed 500mm from top

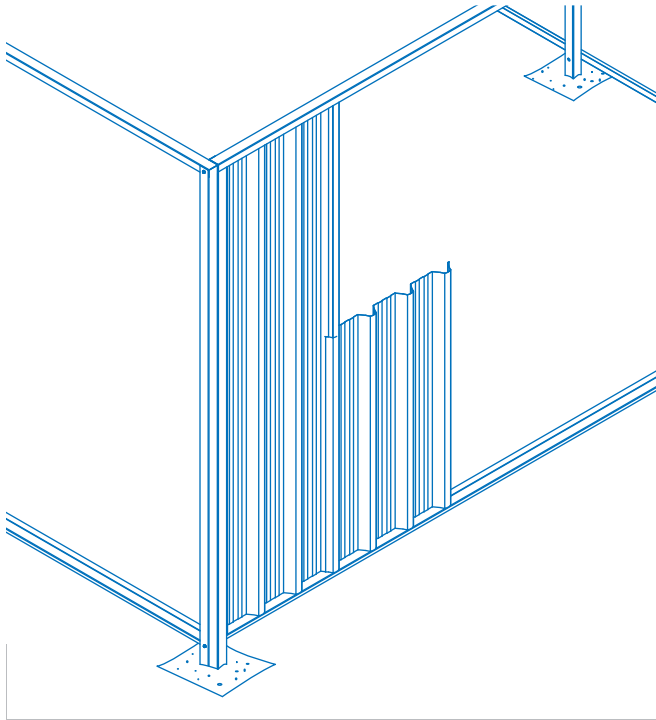


Figure 57

Ensure the wall sheets either side of the window tightly abutt the frame so no gaps occur. Correct spacing of the sheet is best achieved by marking the top and bottom tracks and fixing the sheets to these marks. Fix the remaining sheets working back from the corner post (Figure 59). Place the pre-assembled louvred

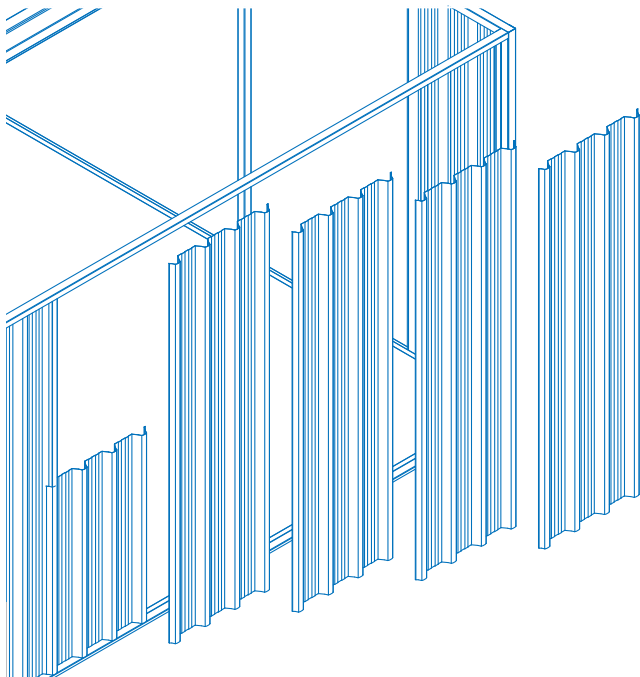


Figure 59

channel. Fix one full length wall sheet against the corner post. Then fix the larger trimmed sheet (Figure 57) as previously described (Figure 65). Place the remaining trimmed sheet loosely into position and check to see that the window will fit the opening (Figure 58).

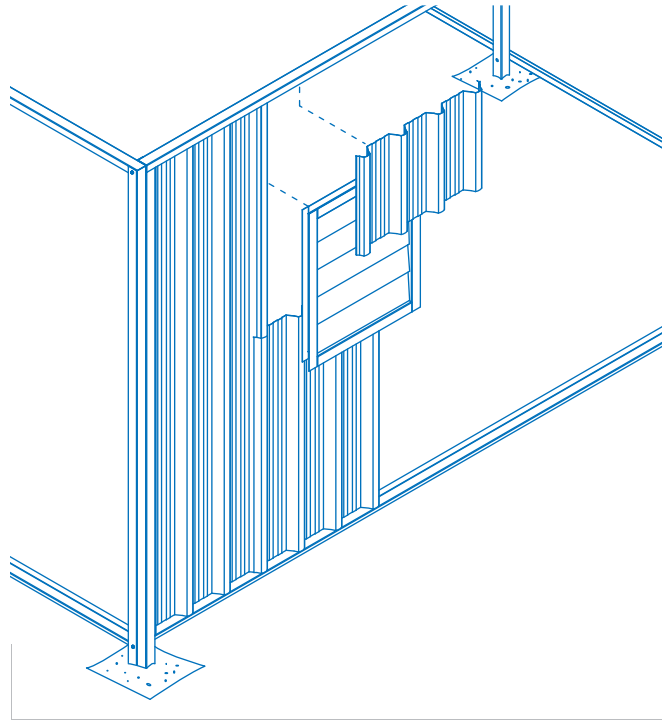


Figure 58

window and remaining trimmed sheet into the opening. Check for squareness. Install with rivets securing the window frame to the crests of the wall sheets and evenly spaced around the remaining frame (Figure 60). Place a bead of silicone in each corner of the window to prevent water entry.

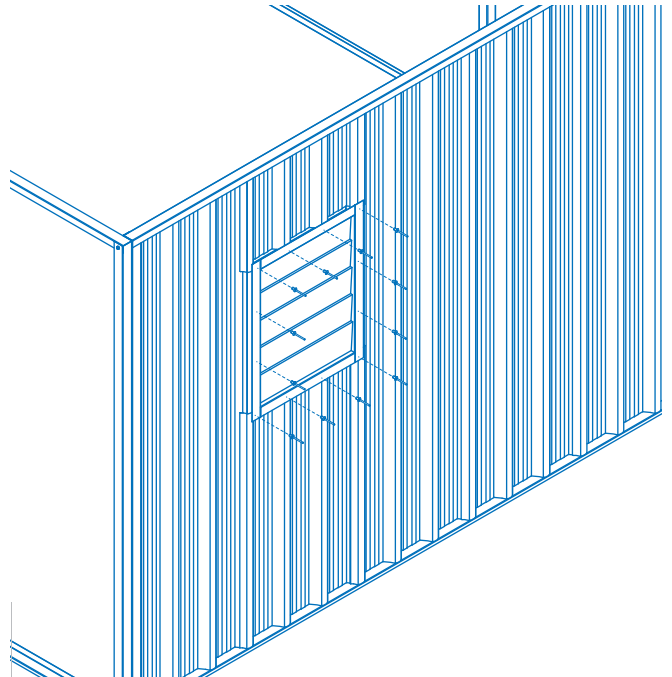


Figure 60



SLIDING WINDOW OPTION

If you have chosen the sliding window option for your Homeshed, two of the 2400mm walling sheets will need to be trimmed to suit with tin snips. The example provided is for a window one sheet from the corner post on the short side of the shed 500mm from the top channel (Figure 61). Fix one full length wall sheet against the corner post. Fix the two larger trimmed sheets next, as per previously used overlapping and fixing details (Figure 65). Place

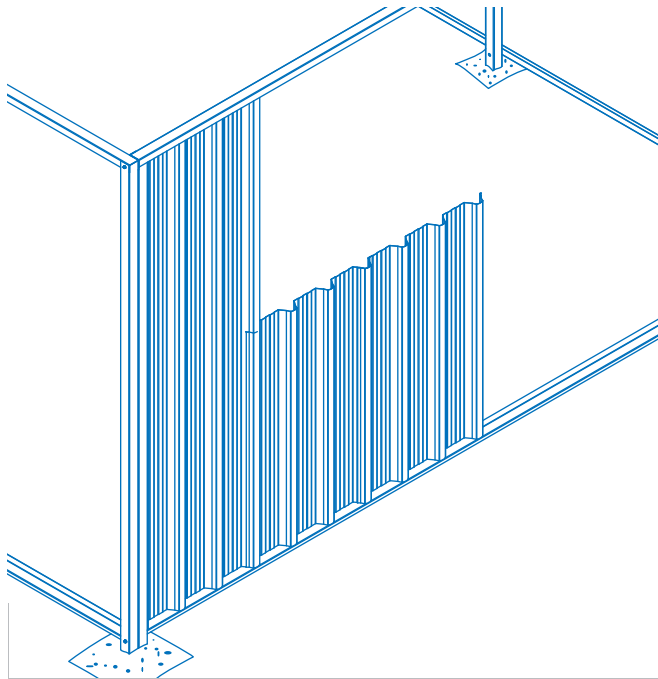


Figure 61

Place the pre-assembled sliding window and remaining trimmed sheets into the opening and check for squareness. Install with rivets securing the window frame to the crests of the wall sheet top and bottom and evenly space rivets either side (Figure 63). Place a bead of silicone in each corner of the window to prevent water entry.

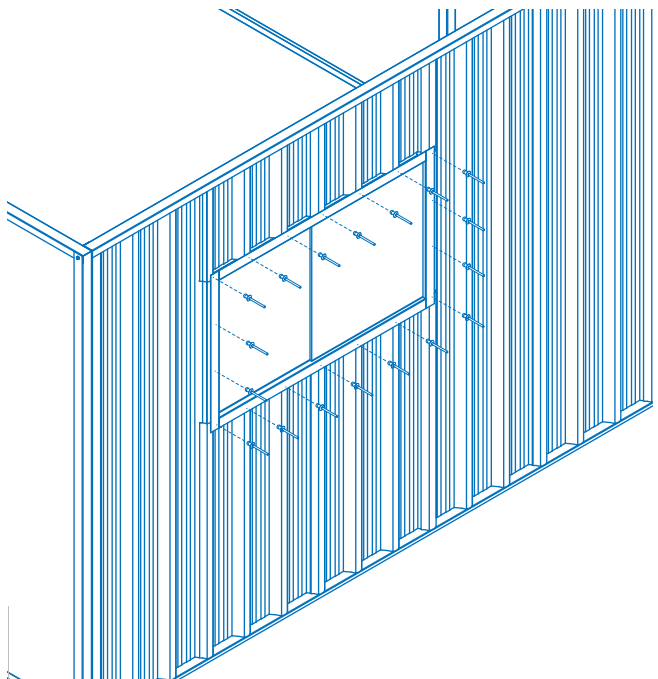


Figure 63

the remaining sheets loosely into position and check to see that the window will fit the opening (Figure 62). Ensure the wall sheets either side of the window tightly abutt the frame so no gaps occur. Correct spacing of the sheets is best achieved by marking the top and bottom tracks and fixing the sheets to these marks. Fix the remaining sheets working back from the corner post (Figure 62).

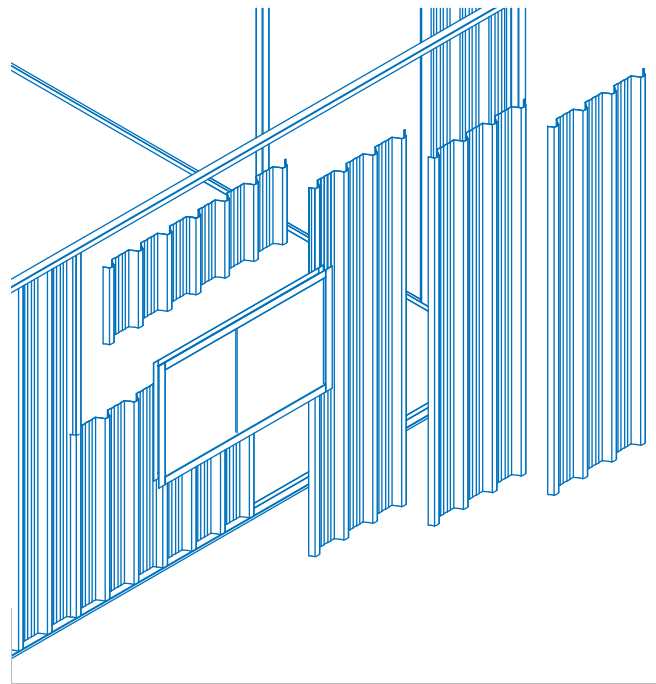


Figure 62

Locate a 38 x 25mm RHS directly under the window frame spanning between shed posts. Secure in position with one 10 x 16 screw per wall sheet pan from the outside of the shed (Figure 64). This will provide additional stiffness to the sliding window wall panel.

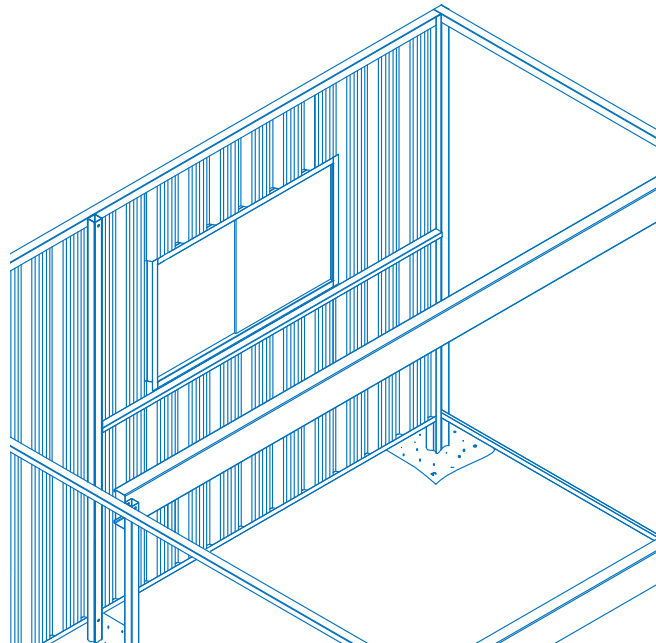


Figure 64



NOTES



QUEENSLAND

- ORMEAU Ph: (07) 3451 4444 1 Mavis Crt
- CRESTMEAD Ph: 3451 4411 179 Magnesium Dve
- TOOWOOMBA Ph: 4638 9322 167 Herries St
- VIRGINIA Ph: 3451 4411 2037 Sandgate Rd
- CABOOLTURE Ph: 5431 4100 17 Concorde Pl
- MAROOCHYDORE Ph: 5351 0100 14 Pike St, Kunda Park
- GOLD COAST Ph: 3451 4411 108 Eastlake St, Carrara
- CAPALABA Ph: 3451 4411 Cnr. Smith St & Redland Bay Rd
- ARCHERFIELD Ph: 3451 4411 Cnr. Beaudesert & Granard Rd
- REDBANK PLAINS Ph: 3451 4411 326 Kruger Pde

NEW SOUTH WALES

- HUNTINGWOOD Ph: (02) 8811 7211 15 Liberty Rd
- CAMPBELLTOWN Ph: 8811 7211 22 Blaxland Rd
- PENRITH Ph: 8811 7211 125 Coreen Ave
- NEWCASTLE Ph: 4922 2777 2 Hartley Dve, Thornton

AUSTRALIAN CAPITAL TERRITORY

- FYSHWICK Ph: (02) 6280 5905 25 Tennant St

VICTORIA

- EPPING Ph: (03) 9409 9260 17 Scanlon Dr
- DEER PARK Ph: 9409 9260 1027 Western Hwy
- KILSYTH Ph: 9409 9260 73 Canterbury Rd
- DANDENONG Ph: 9409 9260 14 Princes Hwy, Doveton

SOUTH AUSTRALIA

- GEPPE CROSS Ph: (08) 8349 5559 125 Cavan Rd
- RICHMOND Ph: 8349 5559 221 Marion Rd, Marleston
- LONSDALE Ph: 8349 5559 Cnr. Dyson & O'Sullivan Beach Rd
- ST AGNES Ph: 8349 5559 129 Tolley Rd
- GAWLER Ph: 8522 1132 16 Main North Rd, Willaston
- GOOLWA Ph: 8555 2825 29 Hutchinson St
- VICTOR HARBOR Ph: 8552 5164 95 Victoria St
- MURRAY BRIDGE Ph: 8531 9191 15 Hindmarsh Rd
- KADINA Ph: 8828 1555 9 Kennett St
- RIVERLAND Ph: 8582 4666 53 Zante Rd, Berri
- PORT AUGUSTA Ph: 8642 6333 70 Victoria Pde
- WHYALLA Ph: 8645 7344 50 Ian St, Whyalla Norrie

WESTERN AUSTRALIA

- CANNING VALE Ph: (08) 9455 5111
Corner of Bannister Road and Hopewell Street
- MALAGA Ph: 9455 5111 Cnr. Marshall Rd & Energy St
- BALCATT A Ph: 9455 5111 140 Balcatta Rd
- MANDURAH Ph: 9455 5111 11 Fitzgerald Rd
- BUNBURY Ph: 9791 4200 Cnr. Strickland St & Zaknic Pl
- BUSSELT ON Ph: 9752 3122 18 Wright St
- KALGOORLIE Ph: 9080 8080 8 Federal Rd
- BROOME Ph: 9191 3800 26 Hunter St

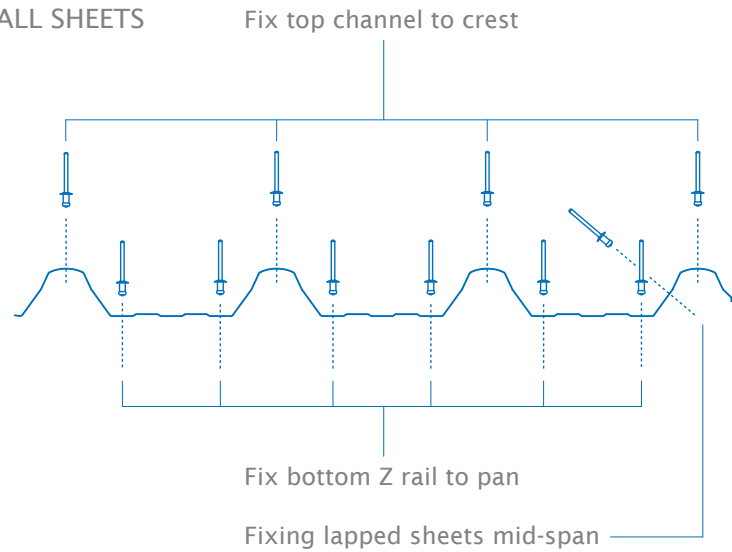
NORTHERN TERRITORY

- BERRIMAH Ph: (08) 8944 2300 780 Stuart Hwy
- ALICE SPRINGS Ph: 8950 9898 6 Ghan Rd

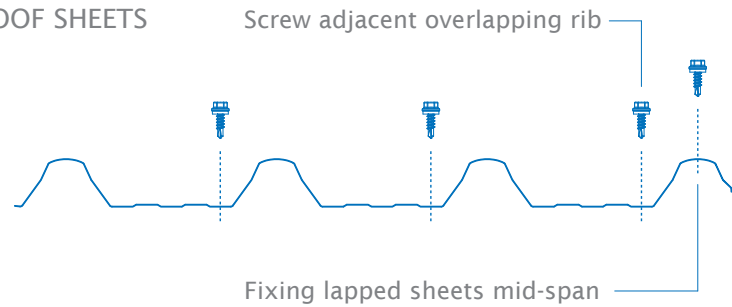
NEW ZEALAND

- CHRISTCHURCH Ph: (03) 338 9063
55 Hands Rd
- AUCKLAND Ph: (09) 274 6487
Block 4, 22 Harris Rd, East Tamaki

WALL SHEETS



ROOF SHEETS



LAPPING DETAIL



HALF LAPPING DETAIL



Figure 65

MAINTENANCE

Your Stratco Flat Roof Homeshed will maintain its good looks for even longer with a simple wash and wipe down. Cleaning should be performed as often as is required to remove any dirt, salt and pollutants.

Stratco Homesheds are produced from the highest quality materials and will provide many years of service, refer to the 'Selection Use and Maintenance' brochure for more information on how to get the best out of your product.