

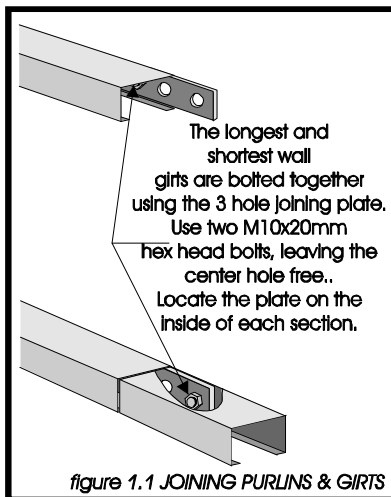
12m LONG HOMESHEDS

Step 1 roof purlins and wall girts

For ease of assembly and transportation, the roof purlins and wall girts have been supplied in two halves. To join the two halves, the purlins and girts must be bolted over the center portal frame.

One 3 hole joining plate has been supplied to join the purlins/girts. The purlins/girts have been supplied in 2 different lengths. The longest length has 2 holes in one end, and the shortest length has 1 hole.

Fix the long and short purlins/girts together to make one continuous length using the 3 hole joining plate. Leave the center hole free so the new, continuous length, can be bolted to the center portal frame with one M10x20mm hex head bolt. This is illustrated in **figure 1.1 JOINING PURLINS & GIRTS**.



Step 2

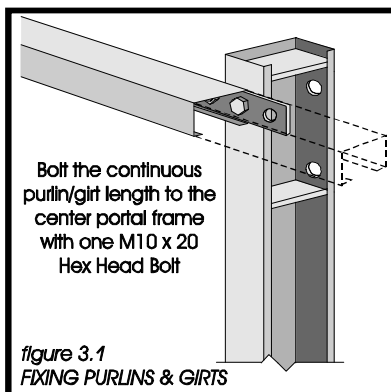
The joining plate must be located on the inside of the continuous section as shown in **figure 1.1 JOINING PURLINS & GIRTS**.

Step 3

The continuous length of purlin can now be bolted to the center portal frame, through the center hole, using one M10 x 20 hex head bolt. This is illustrated in **figure 3.1 FIXING PURLINS & GIRTS**.

Please continue to erect your homeshed as detailed in Step 4, on page 4 from the "FRAMEWORK" instruction notes.

Alternatively, please continue with Step 4, from this set of instruction notes if your unit has a sliding door in the gutter side.



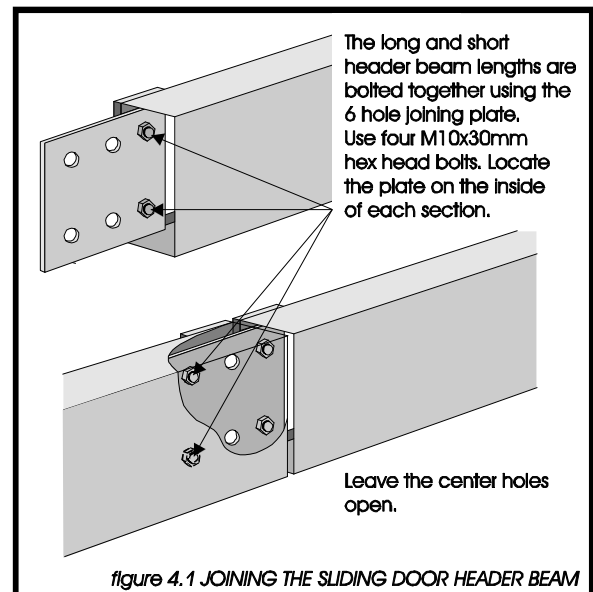
Step 4 sliding door header beam

For ease of assembly and transportation, the sliding door header beams have been supplied in two halves. To join the two halves, the c-sections must be bolted over the center portal frame.

Two joining plates have been supplied. One plate has 6 holes, and the additional plate is blank. The header beam has also been supplied in 2 different lengths. The longest length has 4 holes in one end, and the shortest length has 2 hole.

Fix the long and short beams together to make one continuous length using the 6 hole joining plate. Leave the center holes open so the new, continuous length, can be bolted to the center portal frame.

This is illustrated in **figure 4.1 JOINING THE SLIDING DOOR HEADER BEAM**.



Step 5

Fix the continuous length to the center portal frame with two M10x30mm hex head bolts.

This is illustrated in **figure 5.1 FIXING THE HEADER BEAM**.

Step 6

The blank plate, has been supplied to reinforce this join.

Fix one reinforcing plate (150x200x3mm) across the join with eight 10x16mm self drilling wafer head screws as illustrated in **figure 6.1 REINFORCING THE HEADER BEAM**.

